

Instructions for use

WASHING MACHINE

GB

GB

English,1

FR

Français,13

ES

Espanol,25

PT

Português,37

I

Italiano,49

GR

ΕΛΛΗΝΙΚΑ,61

WIN 82

Contents

Installation, 2-3

Unpacking and levelling
Electric and water connections
The first wash cycle
Technical details

Washing machine description, 4-5

Control panel
Leds

Starting and Programmes, 6

Briefly: how to start a programme
Programme table

Personalisations, 7

Setting the temperature
Functions

Detergents and laundry, 8

Detergent dispenser
Preparing your laundry
Special items

Precautions and advice, 9

General safety
Disposal
Saving energy and respecting the environment

Care and maintenance, 10

Cutting off the water or electricity supply
Cleaning your appliance
Cleaning the detergent dispenser
Caring for your appliance door and drum
Cleaning the pump
Checking the water inlet hose

Troubleshooting, 11

Service, 12

Before calling for Assistance

Installation

GB

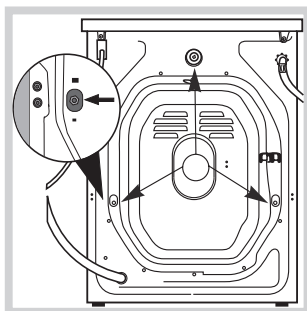
! Keep this instruction manual in a safe place for future reference. Should the appliance be sold, transferred or moved, make sure the instruction manual accompanies the washing machine to inform the new owner as to its operation and features.

! Read these instructions carefully: they contain vital information on installation, use and safety.

Unpacking and levelling

Unpacking

1. Unpack the washing machine.
2. Check whether the washing machine has been damaged during transport. If this is the case, do not install it and contact your retailer.



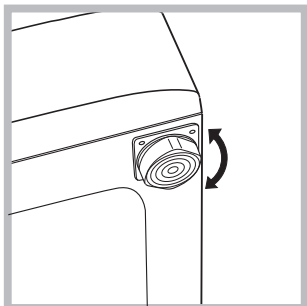
3. Remove the 3 protective screws and the rubber washer with the respective spacer, situated on the rear of the appliance (see figure).

4. Seal the gaps using the plastic plugs provided.
5. Keep all the parts: you will need them again if the washing machine needs to be moved to another location.

! Packaging materials are not children's toys.

Levelling

1. Install the washing machine on a flat sturdy floor, without resting it up against walls, furniture cabinets or other.

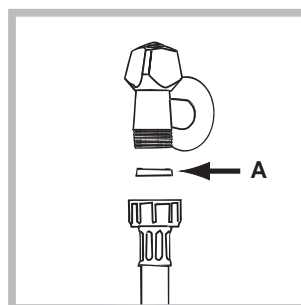


2. If the floor is not perfectly level, compensate for any unevenness by tightening or loosening the adjustable front feet (see figure); the angle of inclination, measured according to the worktop, must not exceed 2°.

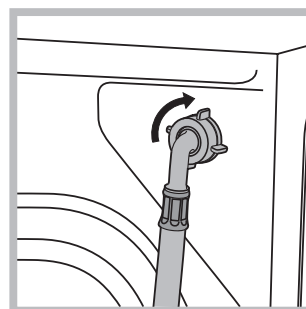
Levelling your appliance correctly will provide it with stability and avoid any vibrations, noise and shifting during operation. If it is placed on a fitted or loose carpet, adjust the feet in such a way as to allow enough room for ventilation beneath the washing machine.

Electric and water connections

Connecting the water inlet hose



1. Insert seal A into the end of the inlet hose and screw the latter onto a cold water tap with a 3/4 gas threaded mouth (see figure). Before making the connection, allow the water to run freely until it is perfectly clear.



2. Connect the other end of the water inlet hose to the washing machine, screwing it onto the appliance's cold water inlet, situated on the top right-hand side on the rear of the appliance (see figure).

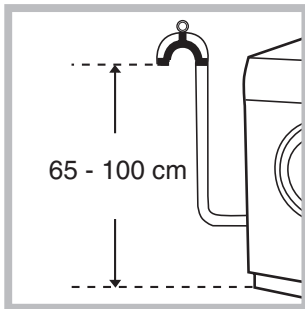
3. Make sure there are no kinks or bends in the hose.

! The water pressure at the tap must be within the values indicated in the Technical details table (on the next page).

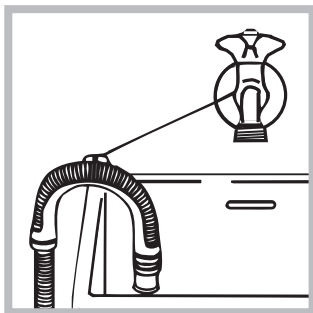
! If the water inlet hose is not long enough, contact a specialist store or an authorised serviceman.

! Never use hoses that have already been used.

Connecting the drain hose



Connect the drain hose, without bending it, to a draining duct or a wall drain situated between 65 and 100 cm from the floor;



alternatively, place it over the edge of a basin, sink or tub, fastening the duct supplied to the tap (see figure). The free end of the hose should not be underwater.

! We advise against the use of hose extensions; in case of absolute need, the extension must have the same diameter as the original hose and must not exceed 150 cm in length.

Electric connection

Before plugging the appliance into the mains socket, make sure that:

- the socket is earthed and in compliance with the applicable law;
- the socket is able to sustain the appliance's maximum power load indicated in the Technical details table (*on the right*);
- the supply voltage is included within the values indicated on the Technical details table (*on the right*);
- the socket is compatible with the washing machine's plug. If this is not the case, replace the socket or the plug.

! The washing machine should not be installed in an outdoor environment, not even when the area is sheltered, because it may be very dangerous to leave it exposed to rain and thunderstorms.

! When the washing machine is installed, the mains socket must be within easy reach.

! Do not use extensions or multiple sockets.

! The power supply cable must never be bent or dangerously compressed.

! The power supply cable must only be replaced by an authorised serviceman.

Warning! The company denies all liability if and when these norms are not respected.

The first wash cycle

Once the appliance has been installed, and before you use it for the first time, run a wash cycle with detergent and no laundry, setting the 90°C programme without a pre-wash cycle.

Technical details

Model	WIN 82
Dimensions	59.5 cm wide 85 cm high 52,5 cm deep
Capacity	from 1 to 5 kg
Electric connections	please refer to the technical data plate fixed to the machine
Water connections	maximum pressure 1 MPa (10 bar) minimum pressure 0.05 MPa (0.5 bar) drum capacity 46 litres
Spin speed	up to 800 rpm
Control programmes according to EN 60456 directive	programme 3; temperature 60°C; run with a load of 5 kg.



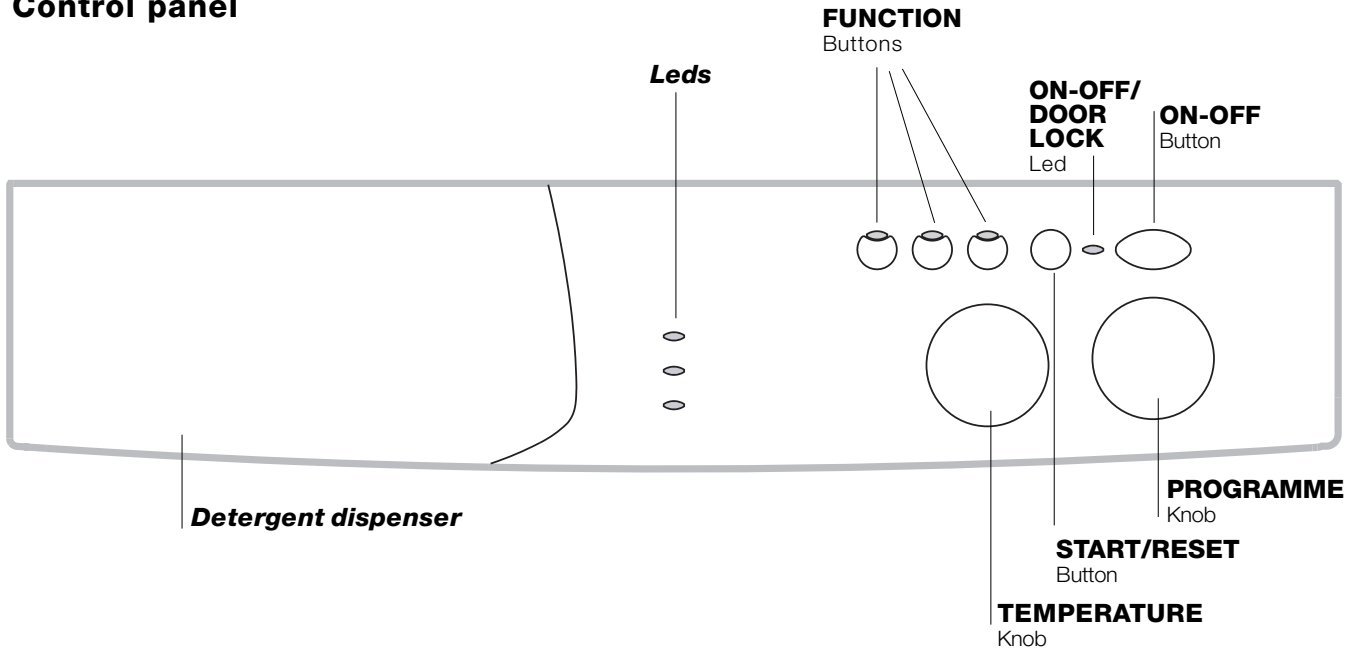
This appliance is compliant with the following European Community Directives:

- 89/336/CEE of 03/05/89 (Electromagnetic Compatibility) and subsequent amendments
- 2006/95/CE (Low Voltage)
- 2002/96/CE

Washing machine description

GB

Control panel



Detergent dispenser: to add detergent and fabric softener (see page 8).

LEDS: to find out which wash cycle phase is under way.

FUNCTION buttons: to select the functions available. The button corresponding to the function selected will remain on.

TEMPERATURE knob: to set the temperature or the cold wash cycle (see page 7).

START/RESET button: to start the programmes or cancel any incorrect settings.

ON-OFF/DOOR LOCK Led: to find out whether the washing machine is on and if the appliance door can be opened (see page 5).

ON/OFF button: to turn the washing machine on and off.

PROGRAMME knob: to select the wash programmes. The knob stays still during the cycle.

Leds

The LEDS provide important information.
This is what they can tell you:

Cycle phase under way:

During the wash cycle, the LEDs gradually illuminate on to indicate the cycle phase under way:

 Wash

 Rinse

 Spin cycle

Note: during draining, the LED corresponding to the Spin cycle phase will be turned on.

Function buttons

The FUNCTION BUTTONS also act like LEDS.
When a function is selected, the corresponding button is illuminated.

If the function selected is incompatible with the programme set, the button will flash and the function will not be enabled.

If you set a function that is incompatible with another function you selected previously, only the last one selected will be enabled.

ON-OFF/DOOR LOCK led


If this LED is on, the appliance door is locked to prevent it from being opened accidentally; to avoid any damages, wait for the LED to flash before you open the appliance door.


! The rapid flashing of the ON-OFF/DOOR LOCK Led together with the flashing of at least one other LED indicates there is an abnormality (see page 11).

Starting and Programmes






GB

Briefly: starting a programme

1. Switch the washing machine on by pressing button . All the LEDs will light up for a few seconds and the ON-OFF/DOOR LOCK Led will begin to flash.
2. Load your laundry into the washing machine and shut the appliance door.
3. Set the PROGRAMME knob to the programme required.
4. Set the wash temperature (see page 7).

5. Add the detergent and any fabric softener (see page 8).
6. Start the programme by pressing the START/RESET button.
To cancel it, keep the START/RESET button pressed for at least 2 seconds.
7. When the programme is finished, the ON-OFF/DOOR LOCK Led will flash to indicate that the appliance door can be opened. Take out your laundry and leave the appliance door ajar to allow the drum to dry thoroughly. Turn the washing machine off by pressing button .

Programme table

Type of fabric and degree of soil	Programmes	Wash temperature	Detergent		Fabric softener	Cycle length (minutes)	Description of wash cycle
			Pre-wash	Wash			
Cottons							
Extremely soiled whites (sheets, tablecloths, etc.)	1	90°C	•	•	•	167	Pre-wash, wash cycle, rinse cycles, intermediate and final spin cycles
Extremely soiled whites (sheets, tablecloths, etc.)	2	90°C		•	•	152	Wash cycle, rinse cycles, intermediate and final spin cycles
Heavily soiled whites and fast colours	3	60°C		•	•	158	Wash cycle, rinse cycles, intermediate and final spin cycles
Heavily soiled whites and delicate colours	3	40°C		•	•	143	Wash cycle, rinse cycles, intermediate and final spin cycles
Slightly soiled whites and delicate colours (shirts, jumpers, etc.)	4	40°C		•	•	99	Wash cycle, rinse cycles, intermediate and final spin cycles
Slightly soiled delicate colours	5	30°C		•	•	92	Wash cycle, rinse cycles, intermediate and final spin cycles
Synthetics							
Heavily soiled fast colours (baby linen, etc.)	6	60°C		•	•	80	Wash cycle, rinse cycles, anti-crease or delicate spin cycle
Fast colours (all types of slightly soiled garments)	6	40°C		•	•	71	Wash cycle, rinse cycles, anti-crease or delicate spin cycle
Heavily soiled fast colours (baby linen, etc.)	7	50°C		•	•	75	Wash cycle, rinse cycles, anti-crease or delicate spin cycle
Delicate colours (all types of slightly soiled garments)	8	40°C		•	•	71	Wash cycle, rinse cycles, anti-crease or delicate spin cycle
Delicate colours (all types of slightly soiled garments)	9	30°C		•	•	30	Wash cycle, rinse cycles and delicate spin cycle
Delicates							
Wool	10	40°C		•	•	50	Wash cycle, rinse cycles and delicate spin cycle
Very delicate fabrics (curtains, silk, viscose, etc.)	11	30°C		•	•	52	Wash cycle, rinse cycles, anti-crease or draining cycle
PARTIAL PROGRAMMES							
Rinse					•		Rinse cycles and spin cycle
Delicate rinse cycle					•		Rinse cycles, anti-crease or draining
Spin cycle							Draining and heavy duty spin cycle
Delicate spin cycle							Draining and delicate spin cycle
Draining							Draining

Notes

For the anti-crease function, please see page 7. The information contained in the table is purely indicative.

Special programme

Daily (programme 9 for Synthetics) is designed to wash lightly soiled garments in a short amount of time: it only lasts 30 minutes and allows you to save on both time and energy. By setting this programme (9 at 30°C), you can wash different fabrics together (except for woollen and silk items), with a maximum load of 3 kg.

We recommend the use of liquid detergent.

Setting the temperature

Turn the TEMPERATURE knob to set the wash temperature (see *Programme table on page 6*).
The temperature can be lowered, or even set to a cold wash (❄).




GB

Functions

To enable a function:

1. press the button corresponding to the desired function, according to the table below;
2. the function is enabled when the corresponding button is illuminated.


Note: The rapid flashing of the button indicates that the corresponding function cannot be selected for the programme set.

Function	Effect	Comments	Enabled with programmes:
 Rapid	Cuts the duration of the wash cycle by 30%.		1, 2, 3, 4, 5, 6, 7, 8
 Extra Rinse	Increases the efficiency of the rinse.	Recommended when the appliance has a full load or with large quantities of detergent.	1, 2, 3, 4, 5, 6, 7, 8, and Rinse cycles.
 Spin exclusion	The washing machine will not carry out a spin cycle, but rather a drum spin at medium speed to assist water draining.	We recommend that you use it when washing garments which are difficult to iron.	All programmes except for 11 and draining.

Anti-crease

This function interrupts the wash programme, and the washing is left to soak in water before the appliance is drained. It is enabled in programmes 6 - 7 - 8 - 11 and Delicate rinse cycle.

To conclude the cycle, press the START/RESET button.

To run the draining cycle alone, set the knob to the relative symbol  and press the START/RESET button.

Note: to avoid excessive vibrations, before every spin cycle the machine distributes the load in a uniform manner by continuously rotating the drum at a speed which is slightly faster than the normal washing speed.

When, despite repeated attempts, the load is still not evenly distributed, the machine spins at a lower speed than the set frequency.

If the load is excessively unbalanced, the machine attempts to distribute it instead of spinning.

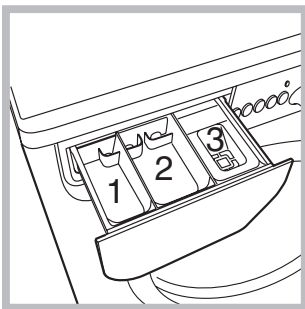
The balancing attempts may extend the total duration of the cycle, up to a maximum of 10 minutes.

Detergents and laundry

GB

Detergent dispenser

Good washing results also depend on the correct dose of detergent: adding too much detergent won't necessarily make for a more efficient wash, and may in fact cause build up on the interior of your appliance and even pollute the environment.



Open up the detergent dispenser and pour in the detergent and fabric softener, as follows.

compartment 1: Detergent for pre-wash (powder)

compartment 2: Detergent for the wash cycle (powder or liquid)

Liquid detergent should only be poured in immediately prior to the wash cycle start.

compartment 3: Additives (fabric softeners, etc.)

The fabric softener should not overflow from the grid.

! Do not use hand wash detergent because it may form too much foam.

Preparing your laundry

- Divide your laundry according to:
 - the type of fabric/the symbol on the label.
 - the colours: separate coloured garments from whites.
- Empty all pockets and check for loose buttons.
- Do not exceed the weight limits stated below, which refer to the weight when dry:
 - Sturdy fabrics: max 5 kg
 - Synthetic fabrics: max 2.5 kg
 - Delicate fabrics: max 2 kg
 - Wool: max 1 kg

How much does your laundry weigh?

- 1 sheet 400-500 g
- 1 pillow case 150-200 g
- 1 tablecloth 400-500 g
- 1 bathrobe 900-1200 g
- 1 towel 150-250 g

Special items

Curtains: fold curtains and place them in a pillow case or mesh bag. Wash them separately without exceeding half the appliance load. Use programme 11 which excludes the spin cycle automatically.

Quilted coats and windbreakers: if they are padded with goose or duck down, they can be machine-washed. Turn the garments inside out and load a maximum of 2-3 kg, repeating the rinse cycle once or twice and using the delicate spin cycle.

Wool: for best results, use a specific detergent, taking care not to exceed a load of 1 kg.

! The washing machine was designed and built in compliance with the applicable international safety regulations. The following information is provided for your safety and should consequently be read carefully.

General safety

- This appliance has been designed for non-professional, household use and its functions must not be changed.
- This washing machine should only be used by adults and in accordance with the instructions provided in this manual.
- Never touch the washing machine when barefoot or with wet or damp hands or feet.
- Do not pull on the power supply cable to unplug the appliance from the electricity socket. Pull the plug out yourself.
- Do not open the detergent dispenser while the appliance is in operation.
- Do not touch the drain water as it could reach very high temperatures.
- Never force the washing machine door: this could damage the safety lock mechanism designed to prevent any accidental openings.
- In the event of a malfunction, do not under any circumstances touch internal parts in order to attempt repairs.
- Always keep children well away from the appliance while in operation.
- The appliance door tends to get quite hot during the wash cycle.
- Should it have to be moved, proceed with the help of two or three people and handle it with the utmost care. Never try to do this alone, because the appliance is very heavy.
- Before loading your laundry into the washing machine, make sure the drum is empty.

Disposal

- Disposing of the packaging material: observe local regulations, so the packaging can be re-used.
- The European Directive 2002/96/EC on Waste Electrical and Electronic Equipment, requires that old household electrical appliances must not be disposed of in the normal unsorted municipal waste stream. Old appliances must be collected separately in order to optimise the recovery and recycling of the materials they contain and reduce the impact on human health and the environment.

The crossed out "wheeled bin" symbol on the product reminds you of your obligation, that when you dispose of the appliance it must be separately collected.

Consumers should contact their local authority or retailer for information concerning the correct disposal of their old appliance.

Saving energy and respecting the environment

Environmentally-friendly technology

If you only see a little water through your appliance door, this is because thanks to the latest Indesit technology, your washing machine only needs less than half the amount of water to get the best results: an objective reached to respect the environment.

Saving on detergent, water, energy and time

- To avoid wasting resources, the washing machine should be used with a full load. A full load instead of two half loads allows you to save up to 50% on energy.
- The pre-wash cycle is only necessary on extremely soiled garments. Avoiding it will save on detergent, time, water and between 5 and 15% energy.
- Treating stains with a stain remover or leaving them to soak before washing will cut down the need to wash them at high temperatures. A programme at 60°C instead of 90°C or one at 40°C instead of 60°C will save up to 50% on energy.
- Use the correct quantity of detergent depending on the water hardness, how soiled the garments are and the amount of laundry you have, to avoid wastage and to protect the environment: despite being biodegradable, detergents do contain ingredients that alter the natural balance of the environment. In addition, avoid using fabric softener as much as possible.
- If you use your washing machine from late in the afternoon until the early hours of the morning, you will help reduce the electricity board's peak load.
- If your laundry has to be dried in a tumble dryer, select a high spin speed. Having the least water possible in your laundry will save you time and energy in the drying process.

Care and maintenance

GB

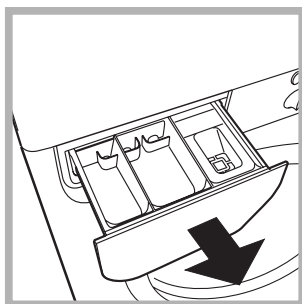
Cutting off the water or electricity supply

- Turn off the water tap after every wash. This will limit the wear of your appliance's water system and also prevent leaks.
- Unplug your appliance when cleaning it and during all maintenance operations.

Cleaning your appliance

The exterior and rubber parts of your appliance can be cleaned with a soft cloth soaked in lukewarm soapy water. Do not use solvents or abrasives.

Cleaning the detergent dispenser



Remove the dispenser by pulling it out (see figure). Wash it under running water; this operation should be repeated frequently.

Caring for your appliance door and drum

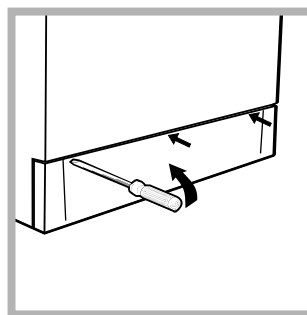
- Always leave the appliance door ajar to prevent unpleasant odours from forming.

Cleaning the pump

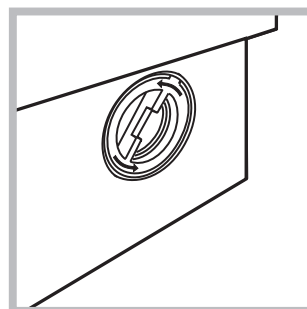
The washing machine is fitted with a self-cleaning pump that does not require any maintenance. Sometimes, small items (such as coins or buttons) may fall into the pre-chamber that protects the pump, situated in the lower part of the same.

! Make sure the wash cycle has ended and unplug the appliance.

To access the pre-chamber:



1. using a screwdriver, remove the cover panel on the lower front of the washing machine (see figure);



2. unscrew the lid rotating it anti-clockwise (see figure): a little water may trickle out. This is perfectly normal;

3. clean the interior thoroughly;
4. screw the lid back on;
5. reposition the panel, making sure the hooks are securely in place before you push it onto the appliance.

Checking the water inlet hose

Check the water inlet hose at least once a year. If you see any cracks, replace it immediately: during the wash cycles, water pressure is very strong and a cracked hose could easily split open.

! Never use hoses that have already been used.

Your washing machine could fail to work. Before calling for Assistance (see page 12), make sure the problem can't easily be solved by consulting the following list.

GB


Problem

Possible causes/Solution:

The washing machine won't start.

- The appliance is not plugged into the socket, or not enough to make contact.
- There has been a power failure.

The wash cycle won't start.

- The appliance door is not shut properly.
- The  button has not been pressed.
- The START/RESET button has not been pressed.
- The water tap is not turned on.

The washing machine fails to load water.

- The water inlet hose is not connected to the tap.
- The hose is bent.
- The water tap is not turned on.
- There is a water shortage.
- The water pressure is insufficient.
- The START/RESET button has not been pressed.

The washing machine continuously loads and unloads water.

- The drain hose is not fitted between 65 and 100 cm from the floor (see page 3).
- The free end of the hose is underwater (see page 3).
- The wall drainage system doesn't have a breather pipe.

If the problem persists even after these checks, turn off the water tap, switch the appliance off and call for Assistance. If the dwelling is on one of the upper floors of a building, there may be drain trap problems causing the washing machine to load and unload water continuously. In order to avoid such an inconvenience, special anti-drain trap valves are available in shops.

The washing machine does not drain or spin.

- The programme does not foresee the draining: some programmes require enabling the draining manually (see page 6).
- The "Anti-crease" function is enabled: to complete the programme, press the START/RESET button (see page 7).
- The drain hose is bent (see page 3).
- The drain duct is clogged.

The washing machine vibrates too much during the spin cycle.

- The drum was not unblocked correctly during installation (see page 2).
- The washing machine is not level (see page 2).
- The washing machine is closed in between furniture cabinets and the wall (see page 2).

The washing machine leaks.

- The water inlet hose is not screwed on correctly (see page 2).
- The detergent dispenser is obstructed (to clean it, see page 10).
- The drain hose is not secured properly (see page 3).

The ON-OFF/DOOR LOCK Led flashes rapidly at the same time as at least one other LED.

- Switch off the machine and unplug the appliance; wait for approximately 1 minute then switch it on again. If the problem persists, contact Assistance.

There is too much foam.

- The detergent is not suitable for machine washing (it should bear the definition "for washing machines" or "hand and machine wash", or the like).
- You used too much detergent.

Service

GB

Before calling for Assistance:

- Check whether you can solve the problem on your own (*see page 11*);
- Restart the programme to check whether the problem has been solved;
- If this is not the case, contact an authorised Technical Service Centre on the telephone number provided on the guarantee certificate.

! Always request the assistance of authorised servicemen.

Notify the operator of:

- the type of problem;
- the appliance model (Mod.);
- the serial number (S/N).

This information can be found on the data plate situated on the rear of the washing machine.

F

Français

WIN 82

Sommaire

Installation, 14-15

Déballage et mise à niveau
Raccordements hydrauliques et électriques
Premier cycle de lavage
Caractéristiques techniques

Description du lave-linge, 16-17

Bandeau de commandes
Voyants

Mise en marche et Programmes, 18

En bref: démarrage d'un programme
Tableau des programmes

Personnalisations, 19

Sélection de la température
Fonctions

Produits lessiviels et linge, 20

Tiroir à produits lessiviels
Triage du linge
Pièces de linge particulières

Précautions et conseils, 21

Sécurité générale
Mise au rebut
Economies et respect de l'environnement

Entretien et soin, 22

Coupure de l'arrivée d'eau et de courant
Nettoyage du lave-linge
Nettoyage du tiroir à produits lessiviels
Entretien du hublot et du tambour
Nettoyage de la pompe
Contrôle du tuyau d'arrivée de l'eau

Anomalies et remèdes, 23

Assistance, 24

Consultation à tout moment

Installation

F

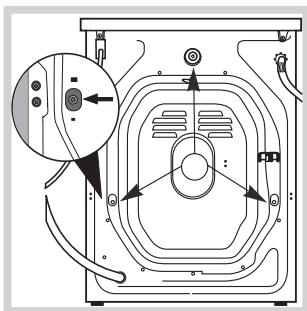
! Conservez ce mode d'emploi pour pouvoir le consulter à tout moment. En cas de vente, de cession ou de déménagement, veillez à ce qu'il suive toujours le lave-linge pour que son nouveau propriétaire soit informé sur son mode de fonctionnement et puisse profiter des conseils correspondants.

! Lisez attentivement les instructions: elles fournissent d'importantes informations sur l'installation, l'utilisation et la sécurité.

Déballage et mise à niveau

Déballage

1. Déballez le lave-linge.
2. Contrôlez que le lave-linge n'a pas été endommagé pendant le transport. S'il est abîmé, ne le raccordez pas et contactez votre revendeur.



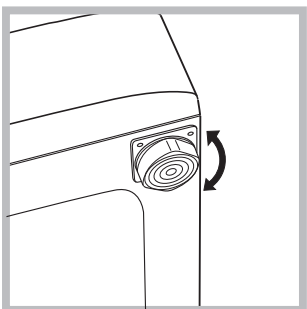
3. Enlevez les 3 vis de protection pour le transport, le caoutchouc et la cale, placés dans la partie arrière (voir figure).

4. Bouchez les trous à l'aide des bouchons plastique fournis.
5. Conservez bien toutes ces pièces: il faudra les remonter en cas de transport du lave-linge.

! Les emballages ne sont pas des jouets pour enfants.

Mise à niveau

1. Installez le lave-linge sur un sol plat et rigide, sans l'appuyer contre des murs, des meubles ou autre.

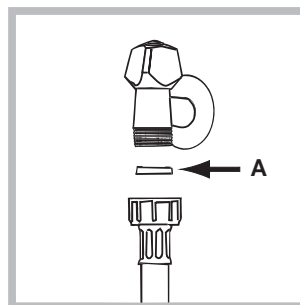


2. Si le sol n'est pas parfaitement horizontal, vissez ou dévissez les petits pieds avant (voir figure) pour niveler l'appareil; son angle d'inclinaison, mesuré sur le plan de travail, ne doit pas dépasser 2°.

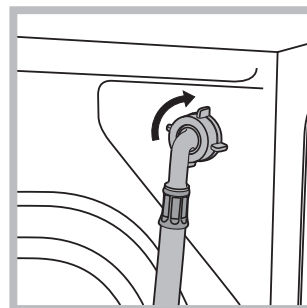
Une bonne mise à niveau garantit la stabilité de la machine et évite qu'il y ait des vibrations, du bruit et des déplacements en cours de fonctionnement. Si la machine est posée sur de la moquette ou un tapis, réglez les petits pieds de manière à ce qu'il y ait suffisamment d'espace pour assurer une bonne ventilation.

Raccordements hydrauliques et électriques

Raccordement du tuyau d'arrivée de l'eau



1. Montez le joint A sur l'extrémité du tuyau d'alimentation et vissez-le à un robinet d'eau froide à embout fileté 3/4 gaz (voir figure). Faites couler l'eau jusqu'à ce qu'elle soit limpide et sans impuretés avant de raccorder.



2. Raccordez le tuyau d'alimentation au lave-linge en le vissant à la prise d'eau prévue, dans la partie arrière en haut à droite (voir figure).

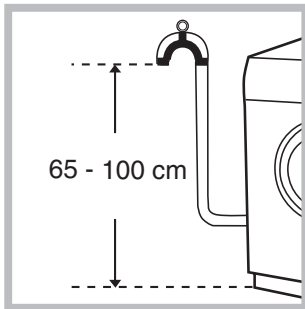
3. Faites attention à ce que le tuyau ne soit ni plié ni écrasé.

! La pression de l'eau doit être comprise entre les valeurs indiquées dans le tableau des Caractéristiques techniques (voir page ci-contre).

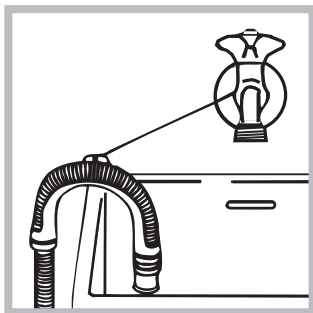
! Si la longueur du tuyau d'alimentation ne suffit pas, adressez-vous à un magasin spécialisé ou à un technicien agréé.

! N'utilisez jamais de tuyaux usés.

Raccordement du tuyau de vidange



Raccordez le tuyau d'évacuation, sans le plier, à un conduit d'évacuation ou à une évacuation murale placés à une distance du sol comprise entre 65 et 100 cm;



ou bien accrochez-le à un évier ou à une baignoire, dans ce cas, fixez le support en plastique fourni avec l'appareil au robinet (voir figure). L'extrémité libre du tuyau d'évacuation ne doit pas être plongée dans l'eau.

! L'utilisation de tuyaux de rallonge est absolument déconseillée, si vous ne pouvez vraiment pas faire autrement vous devrez utiliser un tuyau de même diamètre et de longueur maximum de 150 cm.

Branchement électrique

Avant de brancher la fiche dans la prise de courant, contrôlez que:

- la prise dispose de mise à la terre et est conforme aux normes;
- la prise est bien apte à supporter la puissance maximale de la machine indiquée dans le tableau des Caractéristiques techniques (voir ci-contre);
- la tension d'alimentation est bien comprise entre les valeurs figurant dans le tableau des Caractéristiques techniques (voir ci-contre);
- la prise est bien compatible avec la fiche du lave-linge. Autrement, remplacez la prise ou la fiche.

! Votre lave-linge ne doit pas être installé dehors, même à l'abri, car il est très dangereux de le laisser exposé à la pluie et aux orages.

! Après installation du lave-linge, la prise de courant doit être facilement accessible.

! N'utilisez ni rallonges ni prises multiples.

! Le câble ne doit être ni plié ni écrasé.



! Le câble d'alimentation ne doit être remplacé que par des techniciens agréés.

Attention! Nous déclinons toute responsabilité en cas de non respect des normes énumérées ci-dessus.

Premier cycle de lavage

Avant la première utilisation de la machine, effectuez un cycle de lavage avec un produit lessiviel mais sans linge et sélectionnez le programme à 90°C sans prélavage.

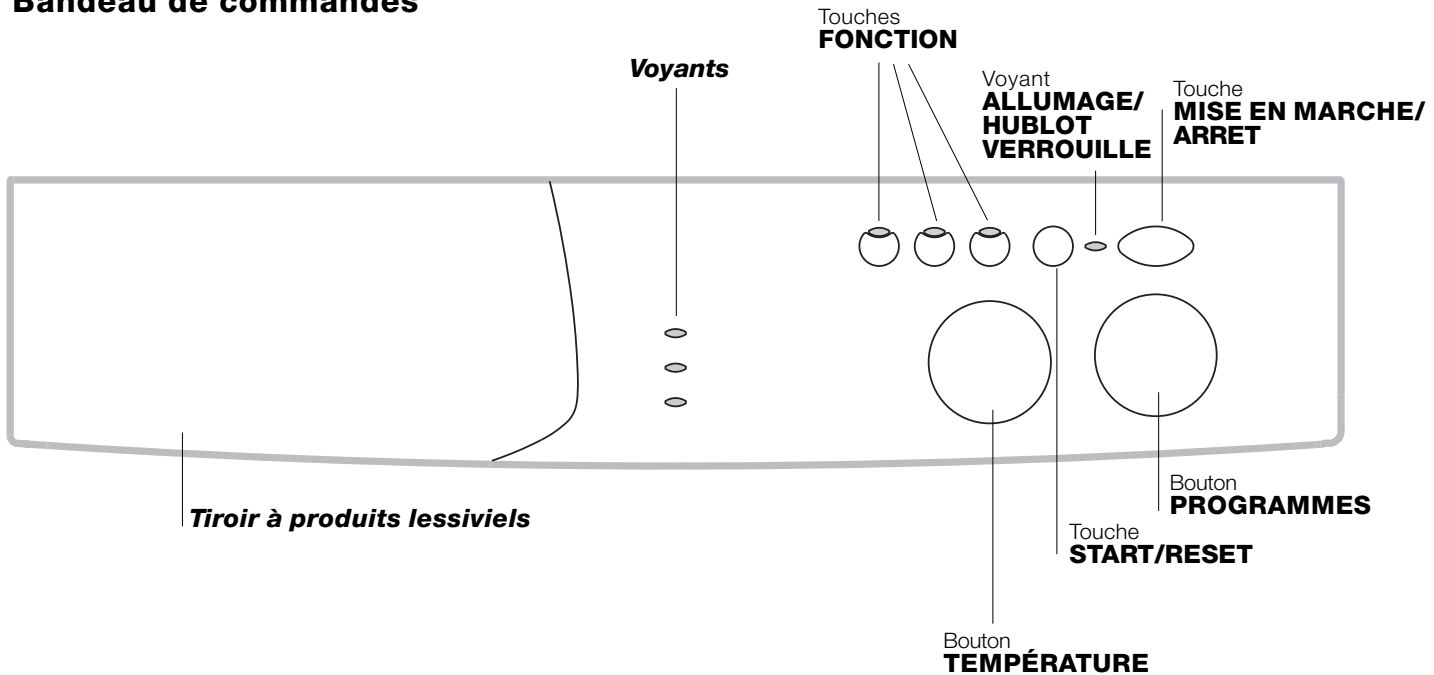
Caractéristiques techniques

Modèle	WIN 82
Dimensions	largeur 59,5 cm hauteur 85 cm profondeur 52,5 cm
Capacité	de 1 à 5 kg
Raccordements électriques	voir la plaque signalétique appliquée sur la machine
Raccordements hydrauliques	pression maximale 1 MPa (10 bar) pression minimale 0,05 MPa (0,5 bar) capacité du tambour 46 litres
Vitesse d'essorage	jusqu'à 800 tours minute
Programmes de contrôle selon la norme EN 60456	programme 3; température 60°C; effectué avec une charge de 5 kg.
 	Cet appareil est conforme aux Directives Communautaires suivantes: - 89/336/CEE du 03/05/89 (Compatibilité électromagnétique) et modifications suivantes - 2006/95/CE (Basse Tension) - 2002/96/CE

Description du lave-linge

F

Bandeau de commandes



Tiroir à produits lessiviels: chargement des produits lessiviels et additifs (voir page 20).

Voyants: suivi du stade d'avancement du programme de lavage.

Touches **FONCTION**: sélection des fonctions disponibles. La touche correspondant à la fonction sélectionnée restera allumée.

Bouton **TEMPÉRATURE**: sélection de la température ou lavage à froid (voir page 19).

Touche **START/RESET**: démarrage des programmes ou annulation (en cas d'erreur).

Voyant **ALLUMAGE/HUBLOT VERROUILLE**: pour comprendre si le lave-linge est branché et si le hublot peut être ouvert (voir page 17).

Touche **MISE EN MARCHÉ/ARRET**: mise en marche ou arrêt du lave-linge.

Bouton **PROGRAMMES**: choix des programmes (voir page 18).

En cours de lavage, le bouton ne bouge pas.

Voyants

Les voyants fournissent des informations importantes. Voilà ce qu'ils signalent:

Phases en cours:

Pendant le cycle de lavage, les voyants s'allument progressivement pour indiquer son stade d'avancement:



Remarque: pendant la phase de vidange, le voyant correspondant à la phase Essorage s'allume.

Touches fonction

Les TOUCHES FONCTION servent aussi de voyants. La sélection d'une fonction entraîne l'allumage du voyant correspondant.

Si la fonction sélectionnée est incompatible avec le programme sélectionné, la touche clignote et la fonction n'est pas activée.

En cas de sélection d'une fonction incompatible avec une autre précédemment sélectionnée, la seule à être activée sera la dernière validée.

Voyant ALLUMAGE/HUBLLOT VERROUILLE


Le voyant allumé indique que le hublot est verrouillé pour empêcher toute ouverture accidentelle; attendez que le voyant cesse de clignoter avant d'ouvrir le hublot, vous risqueriez d'endommager l'appareil.

! Le clignotement rapide du voyant ALLUMAGE/HUBLLOT VERROUILLE en même temps qu'un autre signale une anomalie (voir page 23).

Mise en marche et Programmes

F

En bref: démarrage d'un programme

1. Pour allumer le lave-linge appuyez sur la touche . Tous les voyants s'allument pendant quelques secondes puis s'éteignent et le voyant ALLUMAGE/HUBLOT VERROUILLE commence à clignoter.
2. Chargez le lave-linge et fermez le hublot.
3. Sélectionnez à l'aide du bouton PROGRAMMES le programme désiré.
4. Sélectionnez la température de lavage (voir page 19).







5. Versez le produit lessiviel et les additifs (voir page 20).
6. Appuyez sur la touche START/RESET pour lancer le programme.
Pour annuler, poussez sur la touche START/RESET pendant 2 secondes au moins.
7. A la fin du programme de lavage, le voyant ALLUMAGE/HUBLOT VERROUILLE clignote pour indiquer que le hublot peut être ouvert. Sortez le linge et laissez le hublot entrouvert pour faire sécher le tambour. Eteignez le lave-linge en appuyant sur la touche .

Tableau des programmes

Nature des tissus et degré de salissure	Programmes	Temp. lavage	Lessive		Assouplissant	Durée du cycle (minutes)	Description du cycle de lavage
			prélav.	lavage.			
Coton							
Blancs extrêmement sales (draps, nappes, etc.)	1	90°C	•	•	•	167	Prélavage, lavage, rinçages, essorages intermédiaires et finaux
Blancs extrêmement sales (draps, nappes, etc.)	2	90°C		•	•	152	Lavage, rinçages, essorages intermédiaires et finaux
Blancs et couleurs résistantes très sales	3	60°C		•	•	158	Lavage, rinçages, essorages intermédiaires et finaux
Blancs et couleurs délicates très sales	3	40°C		•	•	143	Lavage, rinçages, essorages intermédiaires et finaux
Blancs peu sales et couleurs délicates (chemises, pulls, etc.)	4	40°C		•	•	99	Lavage, rinçages, essorages intermédiaires et finaux
Couleurs délicates peu sales	5	30°C		•	•	92	Lavage, rinçages, essorages intermédiaires et finaux
Synthétiques							
Couleurs résistantes très sales (linge de bébé, etc.)	6	60°C		•	•	80	Lavage, rinçages, anti-froissement ou essorage délicat
Couleurs résistantes (linge en tout genre légèrement sale)	6	40°C		•	•	71	Lavage, rinçages, anti-froissement ou essorage délicat
Couleurs résistantes très sales (linge de bébé, etc.)	7	50°C		•	•	75	Lavage, rinçages, anti-froissement ou essorage délicat
Couleurs délicates (linge en tout genre légèrement sale)	8	40°C		•	•	71	Lavage, rinçages, anti-froissement ou essorage délicat
Couleurs délicates (linge en tout genre légèrement sale)	9	30°C		•	•	30	Lavage, rinçages et essorage délicat
Délicats							
Laine	10	40°C		•	•	50	Lavage, rinçages et essorage délicat
Tissus particulièrement délicats (rideaux, soie, viscose, etc.)	11	30°C		•	•	52	Lavage, rinçages, anti-froissement ou vidange
PROGRAMMES PARTIAUX							
Rinçage					•		Rinçages et essorage
Rinçage délicat					•		Rinçages, anti-froissement ou vidange
Essorage							Vidange et essorage énergique
Essorage délicat							Vidange et essorage délicat
Vidange							Vidange

Remarque

Pour la description de la fonction anti-froissement voir page 19. Les données reportées dans le tableau sont à titre indicatif.

Programme spécial

Express 30' (programme 9 pour Synthétiques) spécialement conçu pour laver du linge peu sale en un rien de temps: il ne dure que 30 minutes et permet ainsi de faire des économies d'énergie et de temps. Choisissez le programme (9 à 30°C), vous pourrez laver ensemble des textiles différents (sauf laine et soie) en ne dépassant pas 3 kg de charge. *Nous vous conseillons d'utiliser des lessives liquides.*

Sélection de la température

Tournez le bouton TEMPERATURE pour sélectionner la température de lavage (voir Tableau des programmes page 18). Vous pouvez réduire la température jusqu'au lavage à froid (❄).




F

Fonctions

Les différentes fonctions de lavage prévues par le lave-linge permettent d'obtenir la propreté et le blanc souhaités. Pour activer les fonctions:

1. appuyez sur la touche correspondant à la fonction désirée, d'après le tableau ci-dessous;
2. l'allumage de la touche correspondante signale que la fonction est activée.


Remarque: Le clignotement rapide de la touche signale que la fonction correspondante n'est pas disponible pour le programme sélectionné.

Fonctions	Effet	Mode d'emploi	Activée avec les programmes:
 Peu sale	Pour réduire de 30% environ la durée du cycle de lavage.		1, 2, 3, 4, 5, 6, 7, 8
 Super rinçage	Pour augmenter l'efficacité du rinçage.	Utilisation conseillée en cas de pleine charge ou de doses élevées de produit lessiviel.	1, 2, 3, 4, 5, 6, 7, 8, Rinçages.
 Suppression essorage	Quand vous appuyez sur cette touche, votre lave-linge n'effectue plus d'essorage mais fait simplement tourner le tambour à une vitesse réduite pour favoriser la vidange de l'eau.	Nous vous conseillons de l'utiliser lors du lavage de linge difficile à repasser.	Tous sauf le 11 et la vidange.

Anti-froissement

Cette fonction interrompt le programme de lavage en laissant le linge tremper dans l'eau avant la vidange. Elle est disponible avec les programmes 6 - 7 - 8 - 11 et le Rinçage délicat.

Pour compléter le cycle appuyez sur la touche START/RESET.

Pour n'effectuer que la vidange amenez le bouton sur le symbole correspondant  et appuyez sur la touche START/RESET.

Remarque: Pour éviter des vibrations excessives, avant toute phase d'essorage, l'appareil imprime au tambour une série de rotations continues à une vitesse légèrement supérieure à la vitesse de lavage pour distribuer le linge de façon uniforme.

Si, malgré plusieurs tentatives, le linge n'est pas parfaitement réparti, l'appareil effectue l'essorage à une vitesse inférieure à la vitesse prévue.

En cas de déséquilibre excessif, l'appareil procède à la répartition du linge au lieu de l'essorage.

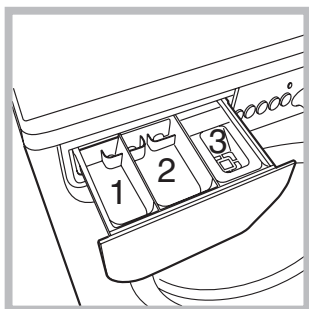
Les tentatives éventuelles d'équilibrage peuvent prolonger la durée totale du cycle de 10 minutes maximum.

Produits lessiviels et linge

F

Tiroir à produits lessiviels

Un bon résultat de lavage dépend aussi d'un bon dosage de produit lessiviel: un excès de lessive ne lave pas mieux, il incruste l'intérieur de votre lave-linge et pollue l'environnement.



Sortez le tiroir à produits lessiviels et versez la lessive ou l'additif comme suit.

bac 1: Lessive pré-lavage (en poudre)

bac 2: Lessive lavage (en poudre ou liquide)

Versez la lessive liquide juste avant la mise en marche.

bac 3: Additifs (adouçissant, etc.)

L'assouplissant ne doit pas déborder de la grille.

! N'utilisez pas de lessives pour lavage à la main, elles génèrent trop de mousse..

Triage du linge

- Triez correctement votre linge d'après:
 - le type de textile / le symbole sur l'étiquette.
 - les couleurs: séparez le linge coloré du blanc.
- Videz les poches et contrôlez les boutons.
- Ne dépassez pas les valeurs indiquées correspondant au poids de linge sec:
 - Textiles résistants: 5 kg max.
 - Textiles synthétiques: 2,5 kg max.
 - Textiles délicats: 2 kg max.
 - Laine: 1 kg max.

Combien pèse le linge ?

- 1 drap 400-500 g
- 1 taie d'oreiller 150-200 g
- 1 nappe 400-500 g
- 1 peignoir 900-1.200 g
- 1 serviette éponge 150-250 g

Pièces de linge particulières

Rideaux: pliez-les bien et glissez-les dans une taie d'oreiller ou dans un sac genre filet. Lavez-les seuls sans dépasser la demi-charge. Sélectionnez le programme 11 qui supprime automatiquement l'essorage.

Doudounes et anoraks: s'ils sont en duvet d'oie ou de canard, ils peuvent être lavés à la machine. Lavez les vêtements sur l'envers. La charge ne doit pas excéder 2-3 kg. Prévoyez 2, voire 3 rinçages et un essorage léger.

Laine: pour obtenir d'excellents résultats utilisez un produit lessiviel spécial et ne dépassez pas une charge de 1kg.

! Ce lave-linge a été conçu et fabriqué conformément aux normes internationales de sécurité. Ces avertissements sont fournis pour des raisons de sécurité, lisez-les attentivement.

Sécurité générale

- Cet appareil a été conçu pour une utilisation domestique, non professionnelle et ses fonctions ne doivent pas être altérées.
- Ce lave-linge ne doit être utilisé que par des adultes en suivant les instructions reportées dans ce mode d'emploi.
- N'utilisez pas l'appareil si vous êtes pieds nus. ne touchez jamais l'appareil si vous avez les pieds ou les mains humides.
- Ne tirez jamais sur le câble pour débrancher la fiche de la prise de courant.
- N'ouvrez pas le tiroir à produits lessiviels si la machine est en marche.
- Ne touchez pas à l'eau de vidange, elle peut atteindre des températures très élevées.
- Ne forcez pas pour ouvrir le hublot: le verrouillage de sécurité qui protège contre les ouvertures accidentelles pourrait s'endommager.
- En cas de panne, n'essayez en aucun cas d'accéder aux mécanismes internes pour tenter de la réparer.
- Veillez à ce que les enfants ne s'approchent pas de la machine pendant son fonctionnement.
- Pendant le lavage, le hublot a tendance à se réchauffer.
- Deux ou trois personnes sont nécessaires pour la déplacer en faisant très attention. Ne jamais la déplacer seul car la machine est très lourde.
- Avant d'introduire votre linge, contrôlez si le tambour est bien vide.

Mise au rebut

- Mise au rebut du matériel d'emballage: se conformer aux réglementations locales de manière à ce que les emballages puissent être recyclés.
- La Directive Européenne 2002/96/EC sur les Déchets des Equipements Electriques et Electroniques, exige que les appareils ménagers usagés ne soient pas jetés dans le flux normal des déchets municipaux. Les appareils usagés doivent être collectés séparément afin d'optimiser le taux de récupération et le recyclage des matériaux qui les composent et réduire l'impact sur la santé humaine et l'environnement. Le symbole de la "poubelle barrée" est apposée sur tous les produits pour rappeler les obligations de collecte séparée.

Les consommateurs devront contacter les autorités locales ou leur revendeur concernant la démarche à suivre pour l'enlèvement de leur vieil appareil.

F

Economies et respect de l'environnement

La technologie au service de l'environnement

Si vous voyez peu d'eau à travers le hublot c'est parce que grâce à la nouvelle technologie Indesit, il suffit de moins de la moitié d'eau pour obtenir une propreté impeccable: un but atteint pour protéger l'environnement.

Economie de produit lessiviel, d'eau, d'électricité et de temps

- Pour ne pas gaspiller de ressources, utilisez le lave-linge à sa charge maximale. Mieux vaut une pleine charge que deux demies, vous économiserez jusqu'à 50% d'électricité.
- Un prélavage n'est nécessaire qu'en cas de linge très sale. S'en passer permet de faire des économies de produit lessiviel, de temps, d'eau et entre 5 et 15% d'électricité.
- Si vous traitez les taches avec un produit détachant ou si vous les laissez tremper avant de les laver, vous éviterez d'avoir à laver à de hautes températures. Un programme à 60°C au lieu de 90°C ou un à 40°C au lieu de 60°C, fait économiser jusqu'à 50% d'électricité.
- Bien doser la quantité de produit lessiviel en fonction de la dureté de l'eau, du degré de salissure et de la quantité de linge à laver évite les gaspillages et protège l'environnement: bien que biodégradables, les produits lessiviels contiennent des éléments qui altèrent l'équilibre de la nature. Evitez le plus possible l'utilisation d'assouplissant.
- Effectuer ses lavages tard dans l'après-midi et jusqu'aux premières heures du matin permet de réduire la charge d'absorption des opérateurs énergétiques.
- Si le linge doit être séché dans un sèche-linge, sélectionnez une haute vitesse d'essorage. Du linge qui contient moins d'eau fait économiser du temps et de l'électricité dans le programme de séchage.

Entretien et soin

F

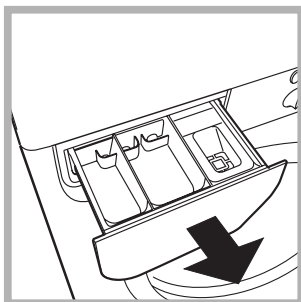
Coupure de l'arrivée d'eau et de courant

- Fermez le robinet de l'eau après chaque lavage: vous limiterez ainsi l'usure de l'installation hydraulique de votre lave-linge et éliminerez le danger de fuites.
- Débranchez la fiche de la prise de courant quand vous nettoyez votre lave-linge et pendant tous vos travaux d'entretien.

Nettoyage du lave-linge

Pour nettoyer l'extérieur et les parties en caoutchouc, utilisez un chiffon imbibé d'eau tiède et de savon. N'utilisez ni solvants ni abrasifs.

Nettoyage du tiroir à produits lessiviels



Pour sortir le tiroir, soulevez-le et tirez-le vers vous (voir figure). Lavez-le à l'eau courante, effectuez cette opération assez souvent.

Entretien du hublot et du tambour

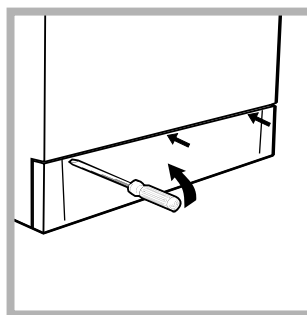
- Quand vous n'utilisez pas votre lave-linge, laissez toujours le hublot entrouvert pour éviter la formation de mauvaises odeurs.

Nettoyage de la pompe

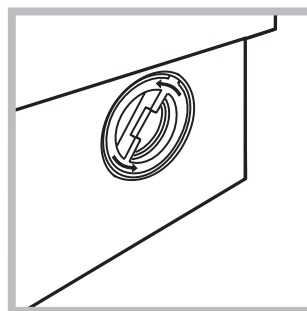
Le lave-linge est équipé d'une pompe autonettoyante qui n'exige aucune opération d'entretien. Il peut toutefois arriver que de menus objets (pièces de monnaie, boutons) tombent dans la préchambre qui protège la pompe, placée en bas de cette dernière.

! Contrôlez que le cycle de lavage est bien terminé et débranchez la fiche.

Pour accéder à cette préchambre:



1. démontez le panneau situé à l'avant du lave-linge à l'aide d'un tournevis (voir figure);



2. dévissez le couvercle en le faisant tourner dans le sens inverse des aiguilles d'une montre (voir figure): il est normal qu'un peu d'eau s'écoule;

3. nettoyez soigneusement à l'intérieur;
4. revissez le couvercle;
5. remontez le panneau en veillant à bien enfilez les crochets dans les fentes prévues avant de le pousser contre la machine.

Contrôle du tuyau d'arrivée de l'eau

Contrôlez le tuyau d'alimentation au moins une fois par an. Remplacez-le dès que vous remarquez des craquèlements et des fissures: les fortes pressions subies pendant le lavage pourraient provoquer des cassures.

! N'utilisez jamais de tuyaux usés.

Il peut arriver que le lave-linge ne fonctionne pas bien. Avant de appeler le Service après-vente (voir page 24), contrôlez s'il ne s'agit pas d'un problème facile à résoudre grâce à la liste suivante.

F


Anomalies:

Causes / Solutions possibles:

Le lave-linge ne s'allume pas.

- La fiche n'est pas branchée dans la prise de courant ou mal branchée.
- Il y a une panne de courant.

Le cycle de lavage ne démarre pas.

- Le hublot n'est pas bien fermé.
- La touche  n'a pas été actionnée.
- La touche START/RESET n'a pas été actionnée.
- Le robinet de l'eau n'est pas ouvert.

Il n'y a pas d'arrivée d'eau.

- Le tuyau d'arrivée de l'eau n'est pas raccordé au robinet.
- Le tuyau est plié.
- Le robinet de l'eau n'est pas ouvert.
- Il y a une coupure d'eau.
- La pression n'est pas suffisante.
- La touche START/RESET n'a pas été actionnée.

Le lave-linge prend l'eau et vidange continuellement.

- le tuyau de vidange n'est pas installé à une distance du sol comprise entre 65 et 100 cm (voir page 15).
- L'extrémité du tuyau de vidange est plongée dans l'eau (voir page 15).
- L'évacuation murale n'a pas d'évent.

Si après ces vérifications, le problème persiste, fermez le robinet de l'eau, éteignez la machine et appelez le service Assistance. Si vous habitez en étage dans un immeuble, il peut y avoir des phénomènes de siphonnement qui font que votre lave-linge prend et évacue l'eau continuellement. Pour supprimer cet inconvénient, vous pouvez trouver dans le commerce des valves spéciales anti-siphonnement.

Votre lave-linge ne vidange pas et n'essore pas.

- Le programme ne prévoit pas de vidange: pour certains programmes, il faut intervenir pour la faire démarrer (voir page 18).
- La fonction "Anti-froissement" est activée: pour compléter le programme, appuyez sur la touche START/RESET (voir page 19).
- Le tuyau de vidange est plié (voir page 15).
- La conduite de l'installation de vidage est bouchée.

Votre lave-linge vibre beaucoup pendant l'essorage.

- Le tambour n'a pas été débloqué (comme indiqué page 14) lors de l'installation du lave-linge.
- Le lave-linge n'est pas posé à plat (voir page 14).
- Le lave-linge est coincé entre des meubles et le mur (voir page 14).

Le lave-linge a des fuites.

- Le tuyau d'arrivée de l'eau n'est pas bien vissé (voir figure page 14).
- Le tiroir à produits lessiviels est bouché (pour le nettoyer voir pag. 22).
- Le tuyau de vidange n'est pas bien fixé (voir page 15).

Le voyant ALLUMAGE/HUBLLOT VERROUILLE clignote rapidement en même temps qu'un autre voyant.

- Eteindre l'appareil et débrancher la fiche de la prise de courant, attendre 1 minute environ avant de rallumer.
Si l'anomalie persiste, appeler le service d'assistance.

Il y a un excès de mousse.

- Le produit de lavage utilisé n'est pas une lessive spéciale machine (il faut qu'il y ait l'inscription "pour lave-linge", "main et machine", ou autre semblable).
- La quantité utilisée est excessive.

Assistance

F

Avant d'appeler le service après-vente:

- Vérifiez si vous ne pouvez pas résoudre vous-même le problème (*voir page 23*);
- Remettez le programme en marche pour contrôler si dysfonctionnement a disparu;
- Autrement, appelez le Service après-vente de votre revendeur;

! Ne vous adressez jamais à des techniciens non agréés.

Communiquez:

- le type de panne;
- le modèle de la machine (Référence);
- le numéro de série (S/N).

Vous trouverez tous ces renseignements sur la plaquette signalétique située sur le panneau arrière de votre lave-linge.

ES**Espanol****WIN 82**

Sumario

Instalación, 26-27

Desembalaje y nivelación
Conexiones hidráulicas y eléctricas
Primer ciclo de lavado
Datos técnicos

Descripción de la lavadora, 28-29

Panel de control
Luces testigo

Puesta en marcha y Programas, 30

En la práctica: poner en marcha un programa
Tabla de programas

Personalizaciones, 31

Seleccione la temperatura
Funciones

Detergentes y ropa, 32

Cajón de detergentes
Preparar la ropa
Prendas especiales

Precauciones y consejos, 33

Seguridad general
Eliminaciones
Ahorrar y respetar el ambiente

Mantenimiento y cuidados, 34

Excluir el agua y la corriente eléctrica
Limpiar la lavadora
Limpiar el contenedor de detergentes
Cuidar la puerta y el cesto
Limpiar la bomba
Controlar el tubo de alimentación de agua

Anomalías y soluciones, 35

Asistencia, 36

Antes de llamar a la Asistencia Técnica

Instalación

ES

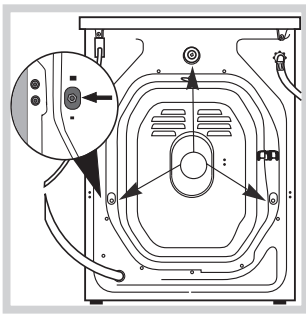
! Es importante conservar este manual para poder consultarlo en cualquier momento. En caso de venta, de cesión o de traslado, verifique que permanezca junto con la lavadora para informar al nuevo propietario sobre el funcionamiento y brindar las correspondientes advertencias.

! Lea atentamente las instrucciones: ellas contienen importante información sobre la instalación, el uso y la seguridad.

Desembalaje y nivelación

Desembalaje

1. Desembale la lavadora.
2. Controle que la lavadora no haya sufrido daños durante el transporte. Si estuviera dañada no la conecte y llame al revendedor.



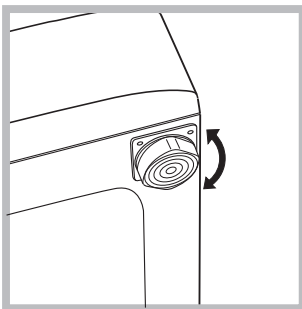
3. Quite los 3 tornillos de protección para el transporte y la arandela de goma con el correspondiente distanciador, ubicados en la parte posterior (ver la figura).

4. Cierre los orificios con los tapones de plástico suministrados con el aparato.
5. Conserve todas las piezas: cuando la lavadora deba ser transportada nuevamente, deberán volver a colocarse.

! Los embalajes no son juguetes para los niños.

Nivelación

1. Instale la lavadora sobre un piso plano y rígido, sin apoyarla en las paredes, muebles ni en ningún otro aparato.

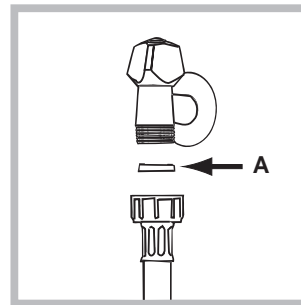


2. Si el piso no está perfectamente horizontal, compense las irregularidades desenroscando o enroscando los pies delanteros (véase la figura); el ángulo de inclinación medido sobre la superficie de trabajo, no debe superar los 2°.

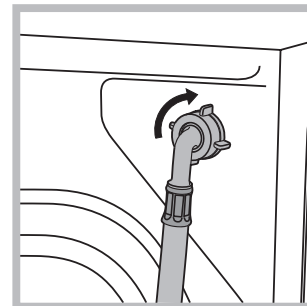
Una cuidadosa nivelación brinda estabilidad a la máquina y evita vibraciones, ruidos y desplazamientos durante el funcionamiento. Cuando se instala sobre moquetas o alfombras, regule los pies para conservar debajo de la lavadora un espacio suficiente para la ventilación.

Conexiones hidráulicas y eléctricas

Conexión del tubo de alimentación de agua



1. Introduzca la junta A en el extremo del tubo de alimentación y enrósquelo a un grifo de agua fría con boca roscada de 3/4 gas (véase la figura). Antes de conectarlo, haga correr el agua hasta que salga limpia.



2. Conecte el tubo de alimentación a la lavadora enroscándolo en la toma de agua correspondiente ubicada en la parte posterior arriba y a la derecha (véase la figura).

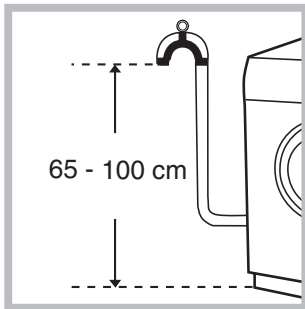
3. Verifique que el tubo no tenga pliegues ni estrangulaciones.

! La presión de agua del grifo debe estar comprendida dentro de los valores contenidos en la tabla de Datos técnicos (ver la página del costado).

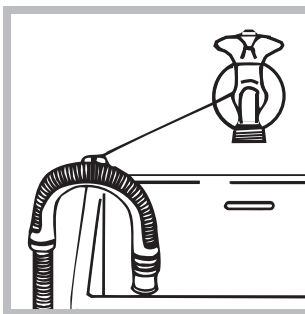
! Si la longitud del tubo de alimentación no fuera suficiente, diríjase a una tienda especializada o a un técnico autorizado.

! No utilice nunca tubos ya usados.

Conexión del tubo de descarga



Conecte el tubo de descarga, sin plegarlo, a un desagüe de pared ubicado a una distancia del piso comprendida entre 65 y 100 cm;



o apóyelo al borde de un lavabo o de una bañera, uniendo la guía suministrada con el aparato, al grifo (véase la figura). El extremo libre del tubo de descarga no debe permanecer sumergido en el agua.

! No se aconseja utilizar tubos de prolongación, de todos modos, si es indispensable, la prolongación debe tener el mismo diámetro del tubo original y no superar los 150 cm.

Conexión eléctrica

Antes de enchufar el aparato, verifique que:

- la toma tenga la conexión a tierra y haya sido hecha según las normas legales;
- la toma sea capaz de soportar la carga máxima de potencia de la máquina indicada en la tabla de Datos técnicos (ver al costado);
- la tensión de alimentación esté comprendida dentro de los valores indicados en la tabla de Datos técnicos (ver al costado);
- la toma sea compatible con el enchufe de la lavadora. Si no es así, sustituya la toma o el enchufe.

! La lavadora no debe ser instalada al aire libre, ni siquiera si el lugar está preparado, ya que es muy peligroso dejarla expuesta a la lluvia o a las tormentas.

! Una vez instalada la lavadora, la toma de corriente debe ser fácilmente accesible.

! No utilice alargadores ni conexiones múltiples.

! El cable no debe estar plegado ni sufrir compresiones.

! El cable de alimentación debe ser sustituido sólo por técnicos autorizados.

¡Atención! La empresa fabricante declina toda responsabilidad en caso de que estas normas no sean respetadas.

Primer ciclo de lavado

Después de la instalación y antes del uso, realice un ciclo de lavado con detergente y sin ropa, seleccionando el programa a 90°C sin prelavado.

Datos técnicos

Modelo	WIN 82
Dimensiones	ancho 59,5 cm. altura 85 cm. profundidad 52,5 cm.
Capacidad	de 1 a 5 kg.
Conexiones eléctricas	ver la placa de características técnicas aplicada en la máquina
Conexiones hídricas	presión máxima 1 MPa (10 bar) presión mínima 0,05 MPa (0,5 bar) capacidad del cesto 46 litros
Velocidad de centrifugado	máxima 800 r.p.m.
Programas de control según la norma EN 60456	programa 3; temperatura 60°C; efectuado con 5 kg. de carga.



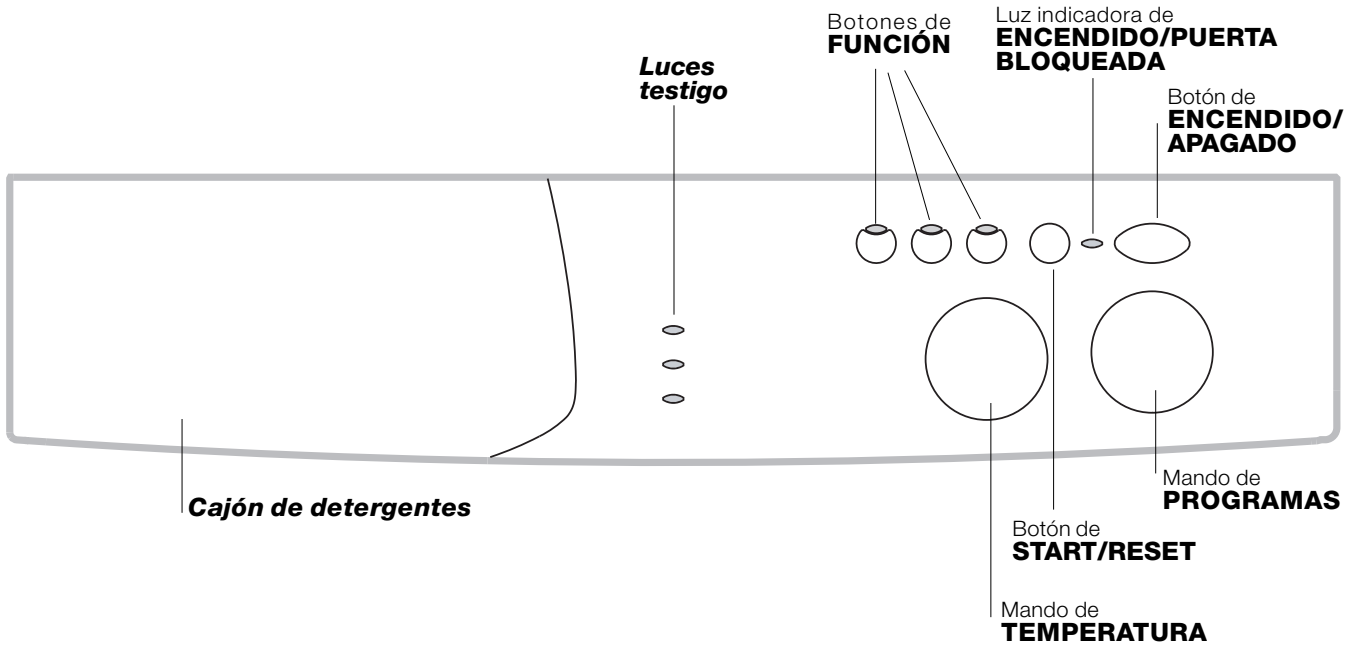
Esta máquina cumple con lo establecido por las siguientes Directivas de la Comunidad:

- 89/336/CEE del 03/05/89 (Compatibilidad Electromagnética) y sucesivas modificaciones
- 2006/95/CE (Baja Tensión)
- 2002/96/CE

Descripción de la lavadora

ES

Panel de control



Cajón de detergentes: para cargar detergentes y aditivos (véase la pág. 32).

Luces testigo: para seguir el estado de avance del programa de lavado.

Botones de **FUNCIÓN:** para seleccionar las funciones disponibles. El botón correspondiente a la función seleccionada permanecerá encendido.

Mando de **TEMPERATURA:** para seleccionar la temperatura o el lavado en frío (ver la pág. 31).

Botón de **START/RESET:** para poner en marcha los programas o anular las selecciones incorrectas.

Luz indicadora de **ENCENDIDO/PUERTA BLOQUEADA:** para saber si la lavadora está encendida y si la puerta se puede abrir (ver la pág. 29).

Botón de **ENCENDIDO/APAGADO:** para encender y apagar la lavadora.

Mando de **PROGRAMAS:** para elegir los programas. Durante el programa el mando no se mueve.

Luces testigo


Las luces testigo suministran información importante. He aquí lo que nos dicen:

Fase en curso:

Durante el ciclo de lavado, las luces testigo se encenderán progresivamente para indicar su estado de avance.

 Lavado

 Aclarado

 Centrifugado

Nota: durante la fase de descarga se iluminará la luz testigo correspondiente a la fase de Centrifugado.

Botones de FUNCIÓN

Los BOTONES DE FUNCIÓN también actúan como luces testigo.

Al seleccionar una función, el botón correspondiente se iluminará.

Si la función seleccionada no es compatible con el programa elegido, el botón centelleará y la función no se activará.

Cuando se seleccione una función incompatible con otra seleccionada precedentemente, permanecerá activa sólo la última selección realizada.

Luz indicadora de ENCENDIDO/PUERTA BLOQUEADA

La luz testigo encendida indica que la puerta está bloqueada para impedir aperturas accidentales; para evitar daños es necesario esperar que la luz testigo centellee antes de abrir la puerta.

! El centelleo rápido de la luz indicadora de ENCENDIDO/PUERTA BLOQUEADA simultáneamente con, al menos, el de otra luz testigo, indica una anomalía (ver la pág. 35).

Puesta en marcha y Programas

ES

En la práctica: poner en marcha un programa

1. Encienda la lavadora pulsando el botón (I). Todas las luces testigo se encenderán durante algunos segundos, luego se apagarán y la luz indicadora de ENCENDIDO/PUERTA BLOQUEADA comenzará a centellear.
2. Cargue la ropa y cierre la puerta.
3. Seleccione el programa deseado con el mando de PROGRAMAS.

4. Fije la temperatura de lavado (*ver la pág. 31*).
5. Vierta el detergente y los aditivos (*véase la pág. 32*).
6. Ponga en marcha el programa pulsando el botón START/RESET.
Para anular, mantenga presionado el botón START/RESET durante 2 segundos como mínimo.
7. Al finalizar el programa, la luz indicadora de ENCENDIDO/PUERTA BLOQUEADA centelleará indicando que la puerta se puede abrir. Extraiga la ropa y deje que la puerta se cierre para permitir que el cesto se seque. Apague la lavadora pulsando el botón (I).

Tabla de programas

Tipos de tejidos y de suciedad	Programas	Temperatura	Detergente		Suavizante	Duración del ciclo (minutos)	Descripción del ciclo de lavado
			Prelav.	Lavado			
Algodón							
Blancos extremadamente sucios (sábanas, manteles, etc.)	1	90°C	•	•	•	167	Prelavado, lavado, aclarados, centrifugados intermedios y final
Blancos extremadamente sucios (sábanas, manteles, etc.)	2	90°C		•	•	152	Lavado, aclarados, centrifugados intermedios y final
Blancos y de color resistentes muy sucios	3	60°C		•	•	158	Lavado, aclarados, centrifugados intermedios y final
Blancos y coloreados delicados muy sucios	3	40°C		•	•	143	Lavado, aclarados, centrifugados intermedios y final
Blancos poco sucios y colores delicados (camisas, camisetas, etc.)	4	40°C		•	•	99	Lavado, aclarados, centrifugados intermedios y final
Colores delicados poco sucios	5	30°C		•	•	92	Lavado, aclarados, centrifugados intermedios y final
Sintéticos							
Colores resistentes muy sucios (ropa para recién nacidos, etc.)	6	60°C		•	•	80	Lavado, aclarados, antiarrugas o centrifugado delicado
Colores resistentes (ropa de todo tipo poco sucia)	6	40°C		•	•	71	Lavado, aclarados, antiarrugas o centrifugado delicado
Colores resistentes muy sucios (ropa para recién nacidos, etc.)	7	50°C		•	•	75	Lavado, aclarados, antiarrugas o centrifugado delicado
Colores delicados (ropa de todo tipo poco sucia)	8	40°C		•	•	71	Lavado, aclarados, antiarrugas o centrifugado delicado
Colores delicados (ropa de todo tipo poco sucia)	9	30°C		•	•	30	Lavado, aclarados y centrifugación delicada
Delicados							
Lana	10	40°C		•	•	50	Lavado, aclarados y centrifugación delicada
Tejidos muy delicados (cortinas, seda, viscosa, etc.)	11	30°C		•	•	52	Lavado, aclarados, antiarrugas o desagüe
PROGRAMAS PARCIALES							
Aclarado					•		Aclarados y centrifugado
Aclarado delicado					•		Aclarados, antiarrugas o desagüe
Centrifugado							Desagüe y centrifugado energético
Centrifugado delicado							Desagüe y centrifugación delicada
Desagüe							Desagüe

Notas

Para la descripción de la función Antiarrugas consulte la *pág. 31*. Los datos contenidos en la tabla tienen un valor indicativo.

Programa especial

Diario 30' (programa 9 para Sintéticos) fue estudiado para lavar prendas ligeramente sucias y en poco tiempo: dura sólo 30 minutos y de esa manera hace ahorrar energía y tiempo. Seleccionando el programa (9 a 30°C) es posible lavar conjuntamente tejidos de distinto tipo (excluidas lana y seda), con una carga máxima de 3 kg. *Se aconseja el uso de detergente líquido.*

Seleccione la temperatura

Girando el mando de la TEMPERATURA se selecciona la temperatura de lavado (ver la Tabla de programas en la *pág.* 30). La temperatura se puede disminuir hasta el lavado en frío (❄).

Funciones

Las distintas funciones de lavado previstas por la lavadora permiten obtener la limpieza y el blanco deseados. Para activar las funciones:

1. pulse el botón correspondiente a la función deseada de acuerdo con la tabla que se encuentra debajo;
2. el encendido del botón correspondiente indica que la función está activa.

Nota: El centelleo rápido del botón indica que la función correspondiente no se puede seleccionar para el programa elegido.

Funciones	Efecto	Notas para el uso	Activa con los programas:
Rápido	Disminuye en un 30% aproximadamente la duración del ciclo de lavado.		1, 2, 3, 4, 5, 6, 7, 8
Aclarado Extra	Aumenta la eficacia del enjuague.	Es aconsejable con la lavadora a plena carga o con dosis elevadas de detergente.	1, 2, 3, 4, 5, 6, 7, 8, Aclarados.
Exclusión centrifugado	La lavadora deja de efectuar la centrifugación para efectuar sólo una rotación del cesto a velocidad moderada a fin de facilitar la descarga del agua.	Aconsejamos utilizar este botón cuando se lavan prendas difíciles de planchar.	Todos excepto el 11 y la descarga.

Antiarrugas

Esta función interrumpe el programa de lavado manteniendo la ropa en remojo en el agua antes de la descarga. Se puede utilizar con los programas 6 - 7 - 8 - 11 y Aclarado delicado.

Para completar el ciclo pulse el botón START/RESET.

Para efectuar sólo la descarga coloque la perilla en el símbolo correspondiente y pulse el botón START/RESET.

Notas: Para evitar vibraciones excesivas, antes de cada centrifugado, la máquina distribuye la carga de modo uniforme, esto se produce efectuando rotaciones continuas del cesto a una velocidad ligeramente superior a la del lavado.

Aún cuando después de repetidos intentos, la carga no se distribuye perfectamente, la máquina realiza el centrifugado a una velocidad inferior a la prevista.

Cuando existe un excesivo desequilibrado, la máquina efectúa la distribución en lugar del centrifugado.

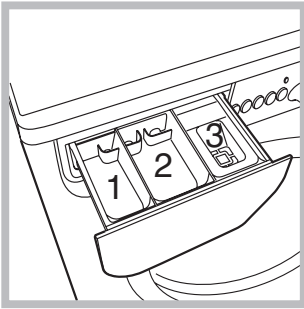
Los intentos de equilibrado pueden aumentar la duración total del ciclo hasta un máximo de 10 minutos.

Detergentes y ropa

ES

Cajón de detergentes

El buen resultado del lavado depende también de la correcta dosificación del detergente: si se excede la cantidad, no se lava de manera más eficaz, sino que se contribuye a encostrar las partes internas de la lavadora y a contaminar el ambiente.



Extraiga el cajón de detergentes e introduzca el detergente o el aditivo de la siguiente manera:

cubeta 1: Detergente para prelavado (en polvo)
cubeta 2: Detergente para lavado (en polvo o líquido)

El detergente líquido se debe verter sólo antes de la puesta en marcha.

cubeta 3: Aditivos (suavizante, etc.)

El suavizante no se debe volcar fuera de la rejilla.

! No use detergentes para el lavado a mano ya que producen demasiada espuma.

Preparar la ropa

- Subdivida la ropa según:
 - el tipo de tejido / el símbolo en la etiqueta.
 - los colores: separe las prendas de color y las blancas.
- Vacíe los bolsillos y controle los botones.
- No supere los valores indicados, referidos al peso de la ropa seca:
 - Tejidos resistentes: max 5 kg.
 - Tejidos sintéticos: max 2,5 kg.
 - Tejidos delicados: max 2 kg.
 - Lana: max 1 kg.

¿Cuánto pesa la ropa?

- 1 sábana 400/500 g
- 1 funda 150/200 g
- 1 mantel 400/500 g
- 1 albornoz 900/1.200 g
- 1 toalla 150/250 g

Prendas especiales

Cortinas: pliéguelas y colóquelas dentro de una funda o de una bolsa de red. Lávelas solas sin superar la media carga. Utilice el programa 11 que excluye automáticamente el centrifugado.

Cazadoras acolchadas con plumas y anoraks: si el relleno es de pluma de ganso o de pato, se pueden lavar en la lavadora. Poner las prendas del revés y realizar una carga máxima de 2-3 kg. repitiendo el enjuague una o dos veces y utilizando el centrifugado delicado.

Lana: para obtener los mejores resultados, utilice un detergente específico y no supere 1 kg. de carga.

! La lavadora fue proyectada y fabricada en conformidad con las normas internacionales de seguridad. Estas advertencias se suministran por razones de seguridad y deben ser leídas atentamente.

Seguridad general

- Este aparato fue fabricado para uso doméstico.
- La lavadora debe ser utilizada sólo por personas adultas y siguiendo las instrucciones contenidas en este manual.
- No toque la máquina con los pies desnudos ni con las manos o los pies mojados o húmedos.
- No desenchufe la máquina tirando del cable, sino tomando el enchufe.
- No abra el contenedor de detergentes mientras la máquina está en funcionamiento.
- No toque el agua de desagüe ya que puede alcanzar temperaturas elevadas.
- En ningún caso fuerce la puerta: podría dañarse el mecanismo de seguridad que la protege de aperturas accidentales.
- En caso de avería, no acceda nunca a los mecanismos internos para intentar una reparación.
- Controle siempre que los niños no se acerquen a la máquina cuando está en funcionamiento.
- Durante el lavado, la puerta tiende a calentarse.
- Si debe ser trasladada, deberán intervenir dos o más personas, procediendo con el máximo cuidado. La máquina no debe ser desplazada nunca por una persona sola ya que es muy pesada.
- Antes de introducir la ropa controle que el cesto esté vacío.

Eliminaciones

- Eliminación del material de embalaje: respete las normas locales, de ese modo, los embalajes podrán volver a ser utilizados.
- En base a la Norma europea 2002/96/CE de Residuos de aparatos Eléctricos y Electrónicos, los electrodomésticos viejos no pueden ser arrojados en los contenedores municipales habituales; tienen que ser recogidos selectivamente para optimizar la recuperación y reciclado de los componentes y materiales que los constituyen, y reducir el impacto en la salud humana y el medioambiente. El símbolo del cubo de basura tachado se marca sobre todos los productos para recordar al consumidor la obligación de separarlos para la recogida selectiva.

El consumidor debe contactar con la autoridad local o con el vendedor para informarse en relación a la correcta eliminación de su electrodoméstico viejo.

Ahorrar y respetar el medio ambiente

Tecnología a servicio del medio ambiente

Si en la puerta se ve poca agua es porque con la nueva tecnología Indesit basta menos de la mitad del agua para alcanzar la mayor limpieza: un objetivo alcanzado para respetar el medio ambiente.

Ahorrar detergente, agua, energía y tiempo

- Para no derrochar recursos es necesario utilizar la lavadora con la máxima carga. Una carga completa en lugar de dos medias cargas permite ahorrar hasta el 50% de energía.
- El prelavado es necesario sólo para ropa muy sucia. Evitarlo permite ahorrar detergente, tiempo, agua y entre el 5 y el 15% de energía.
- Tratar las manchas con un quitamanchas o dejarlas en remojo antes del lavado, disminuye la necesidad de lavar a altas temperaturas. Un programa a 60°C en vez de 90°C o uno a 40°C en vez de 60°C, permite ahorrar hasta un 50% de energía.
- Dosificar bien el detergente en base a la dureza del agua, al grado de suciedad y a la cantidad de ropa evita derroches y protege el ambiente: aún siendo biodegradables, los detergentes contienen elementos que alteran el equilibrio de la naturaleza. Además, si es posible, evite utilizar el suavizante.
- Realizando los lavados desde el atardecer hasta las primeras horas de la mañana se colabora para reducir la carga de absorción de las empresas eléctricas.
- Si el lavado debe ser secado en una secadora, seleccione una velocidad de centrifugado alta. Poca agua en el lavado, permite ahorrar tiempo y energía en el programa de secado.

Mantenimiento y cuidados

ES

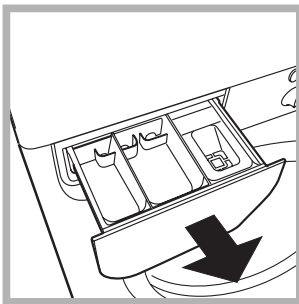
Excluir agua y corriente eléctrica

- Cierre el grifo de agua después de cada lavado. De este modo se limita el desgaste de la instalación hidráulica de la lavadora y se elimina el peligro de pérdidas.
- Desenchufe la máquina cuando la deba limpiar y durante los trabajos de mantenimiento.

Limpiar la lavadora

La parte externa y las partes de goma se pueden limpiar con un paño embebido en agua tibia y jabón. No use solventes ni productos abrasivos.

Limpiar el cajón de los detergentes



Extraiga el contenedor tirando hacia fuera (ver la figura). Lávelo debajo del agua corriente, esta limpieza se debe realizar frecuentemente.

Cuidar la puerta y el cesto

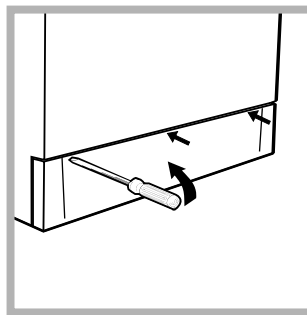
- Deje siempre semicerrada la puerta para evitar que se formen malos olores.

Limpiar la bomba

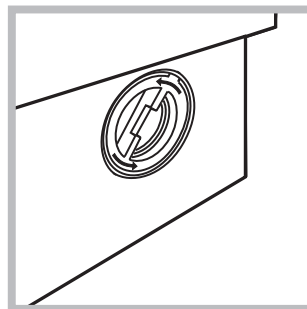
La lavadora posee una bomba autolimpiante que no necesita mantenimiento. Pero puede suceder que objetos pequeños (monedas, botones) caigan en la precámara que protege la bomba, situada en la parte inferior de la misma.

! Verifique que el ciclo de lavado haya terminado y desenchufe la máquina.

Para acceder a la precámara:



1. quite el panel de cobertura delantero de la lavadora con la ayuda de un destornillador (ver la figura);



2. desenrosque la tapa girándola en sentido antihorario (ver la figura); es normal que se vuelque un poco de agua;

3. limpie con cuidado el interior;
4. vuelva a enroscar la tapa;
5. vuelva a montar el panel verificando, antes de empujarlo hacia la máquina, que los ganchos se hayan introducido en las correspondientes ranuras.

Controle el tubo de alimentación de agua

Controle el tubo de alimentación al menos una vez al año. Si presenta grietas o rozaduras se debe sustituir: durante los lavados, las fuertes presiones podrían provocar roturas imprevistas.

! No utilice nunca tubos ya usados.

Puede suceder que la lavadora no funcione. Antes de llamar a la Asistencia Técnica (*ver la pág. 36*), controle que no se trate de un problema de fácil solución ayudándose con la siguiente lista.


Anomalías:

Posibles causas / Solución:

La lavadora no se enciende.

- El enchufe no está introducido en la toma de corriente, o no hace contacto.
- En la casa no hay corriente.

El ciclo de lavado no comienza.

- La puerta no está bien cerrada.
- El botón  no fue pulsado.
- El botón START/RESET no fue pulsado.
- El grifo del agua no está abierto.

La lavadora no carga agua.

- El tubo de alimentación de agua no está conectado al grifo.
- El tubo está plegado.
- El grifo de agua no está abierto.
- En la casa falta el agua.
- No hay suficiente presión.
- El botón START/RESET no fue pulsado.

La lavadora carga y descarga agua continuamente.

- El tubo de desagüe no está instalado entre los 65 y 100 cm. del suelo (*ver la pág. 27*).
 - El extremo del tubo de descarga está sumergido en el agua (*ver la pág. 27*).
 - La descarga de pared no posee un respiradero.
- Si después de estas verificaciones el problema no se resuelve, cierre el grifo de agua, apague la lavadora y llame a la Asistencia. Si la vivienda se encuentra en uno de los últimos pisos de un edificio, es posible que se verifiquen fenómenos de sifonaje, por ello la lavadora carga y descarga agua de modo continuo. Para eliminar este inconveniente se encuentran disponibles en el comercio válvulas especiales que permiten evitar el sifonaje.

La lavadora no descarga o no centrifuga.

- El programa no prevé la descarga: con algunos programas es necesario activarlo manualmente (*ver la pág. 30*).
- La función «Antiarrugas» está activa: para completar el programa, pulse el botón START/RESET (*ver la pág. 31*).
- El tubo de descarga está plegado (*ver la pág. 27*).
- El conducto de descarga está obstruido.

La lavadora vibra mucho durante la centrifugación.

- El cesto, en el momento de la instalación, no fue desbloqueado correctamente (*ver la pág. 26*).
- La lavadora no está instalada en un lugar plano (*ver la pág. 26*).
- Existe muy poco espacio entre la lavadora, los muebles y la pared (*ver la pág. 26*).

La lavadora pierde agua.

- El tubo de alimentación de agua no está bien enroscado (*ver la pág. 26*).
- El cajón de detergentes está obstruido (para limpiarlo *ver la pág. 34*).
- El tubo de descarga no está bien fijado (*ver la pág. 27*).

La luz indicadora de ENCENDIDO/ PUERTA BLOQUEADA centellea de modo rápido simultáneamente con, al menos, otra luz testigo:

- Apague la máquina y desenchúfela, espere aproximadamente 1 minuto y luego vuelva a encenderla. Si la anomalía persiste, llame al Servicio de Asistencia Técnica.

Se forma demasiada espuma.

- El detergente no es específico para la lavadora (debe contener algunas de las frases "para lavadora", "a mano o en lavadora" o similares).
- La dosificación fue excesiva.

Asistencia

ES

Antes de llamar a la Asistencia Técnica:

- Verifique si la anomalía la puede resolver solo (*ver la pág. 35*);
- Vuelva a poner en marcha el programa para controlar si el inconveniente fue resuelto;
- Si no es así, llame a la Asistencia técnica autorizada, al número de teléfono indicado en el certificado de garantía.

! No recurra nunca a técnicos no autorizados.

Comunicar:

- el tipo de anomalía;
- el modelo de la máquina (Mod.);
- el número de serie (S/N).

Estas informaciones se encuentran en la placa que está fijada en la parte posterior de la lavadora.

Instruções para utilização

MÁQUINA DE LAVAR ROUPA

PT

Português

WIN 82

Sumário

Instalação, 38-39

Desembalar e nivelar
Ligações hidráulicas e eléctricas
Primeiro ciclo de lavagem
Dados técnicos

Descrição da máquina de lavar roupa, 40-41

Painel de comandos
Indicadores luminosos

Início e Programas, 42

Como iniciar um programa
Tabela dos programas

Personalizações, 43

Seleccione a temperatura
Funções

Detergentes e roupa, 44

Gaveta dos detergentes
Preparar a roupa
Roupas especiais

Precauções e conselhos, 45

Segurança geral
Eliminação
Economizar e respeitar o meio ambiente

Manutenção e cuidados, 46

Interromper a alimentação de água e de corrente eléctrica
Limpar a máquina de lavar roupa
Limpar a gaveta dos detergentes
Cuidados com a porta de vidro e o tambor
Limpar a bomba
Verificar o tubo de alimentação de água

Anomalias e soluções, 47

Assistência, 48

Antes de contactar a Assistência Técnica

PT

Instalação

PT

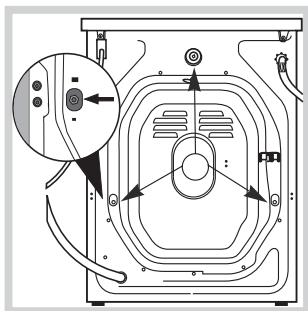
! É importante guardar este manual para poder consultá-lo a qualquer momento. Se a máquina for vendida, cedida ou transferida, certifique-se que este manual permaneça com a máquina para informar o novo proprietário acerca do seu funcionamento e das respectivas advertências.

! Leia com atenção estas instruções: contém informações importantes acerca da instalação, da utilização e da segurança.

Desembalar e nivelar

Desembalar

1. Tire a máquina de lavar roupa da embalagem.
2. Verifique se a máquina de lavar roupa sofreu danos no transporte. Se estiver danificada não efectue a sua ligação e contacte o revendedor.



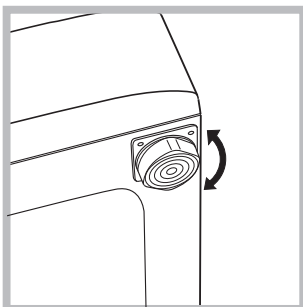
3. Tire os 3 parafusos para protecção no transporte e a borrachinha com o respectivo calço, situados na parte traseira (veja a figura).

4. Tampe os furos com as tampas em plástico fornecidas.
5. Guarde todas as peças: se for necessário transportar a máquina de lavar roupa, terão de ser montadas outra vez.

! Embalagens não são brinquedos para as crianças.

Nivelamento

1. Instale a máquina de lavar roupa sobre um pavimento plano e rígido, sem encostá-la a paredes, móveis ou outros.

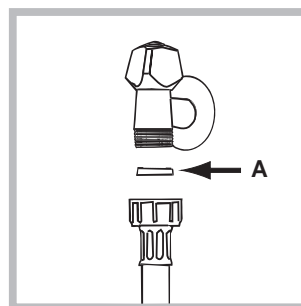


2. Se o pavimento não for perfeitamente horizontal, para compensar qualquer irregularidade, desatarraxe ou atarraxe os pés dianteiros (veja a figura); o ângulo de inclinação, medido no plano de trabalho, não deve ultrapassar 2°.

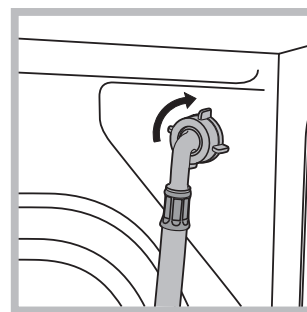
Um cuidadoso nivelamento dá estabilidade à máquina e evita vibrações, ruídos e deslocamentos durante o funcionamento. Se tiver tapete ou alcatifa, regule os pés de modo a que por baixo da máquina de lavar roupa haja espaço suficiente para ventilação.

Ligações hidráulicas e eléctricas

Ligação do tubo de alimentação da água



1. Coloque a guarnição A na ponta do tubo de alimentação e atarraxe-o a uma torneira de água fria com bocal de rosca de 3/4 (veja a figura). Antes de realizar esta ligação, deixe a água escorrer até estar límpida.



2. Ligue o tubo de alimentação na máquina de lavar roupa atarraxado no apropriado fornecimento da água, na parte traseira, em cima à direita (veja a figura).

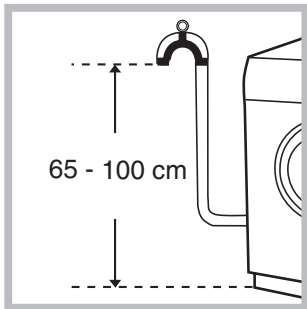
3. Tome cuidado para o tubo não ser dobrado nem esmagado.

! A pressão hídrica da torneira deve ser entre os valores da tabela dos dados técnicas (veja a página ao lado).

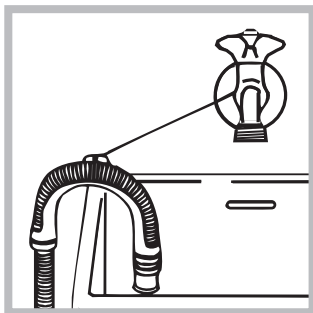
! Se o comprimento do tubo de alimentação não for suficiente, contacte uma oficina especializada ou um técnico autorizado.

! Nunca utilize tubos já usados.

Ligação do tubo de descarga



Ligue o tubo de descarga, sem dobrá-lo, a uma conduta de descarga ou a uma descarga na parede situada entre 65 e 100 cm. de altura do chão;



ou coloque na beira de um lavabo ou de uma banheira, prenda na torneira a guia fornecida (veja a figura). A ponta solta do tubo de descarga não deve permanecer emergida na água.

! É desaconselhado empregar tubos de extensão; mas se for indispensável, a extensão deve ter o mesmo diâmetro do tubo original e não medir mais de 150 cm. de comprimento.

Ligação eléctrica

Ante de ligar a ficha na tomada eléctrica, certifique-se que:

- a tomada tenha uma ligação à terra e que esteja nos termos da legislação;
- a tomada tem capacidade para suportar a carga máxima de potência da máquina, indicada na tabela de dados técnicos (veja ao lado);
- a tensão de alimentação seja entre os valores indicados na tabela de dados técnicos (veja ao lado);
- a tomada seja compatível com a ficha da máquina de lavar roupa. Se não for, substitua a tomada ou a ficha.

! Esta máquina de lavar roupa não deve ser instalada ao ar livre, nem mesmo abrigada, porque é muito perigoso deixá-la exposta à chuva e às tempestades.

! Depois de ter instalado a máquina de lavar roupa, o acesso à tomada eléctrica deve ser fácil.

! Não empregue extensões nem fichas múltiplas.

! O cabo não deve ser dobrado nem apertado.



! O cabo de alimentação deve ser substituído somente por técnicos autorizados.

Atenção! O fabricante declina toda a responsabilidade se estas regras não forem respeitadas.

Primeiro ciclo de lavagem

Depois da instalação, antes de usar, efectue um ciclo de lavagem com detergente mas sem roupa, defina o programa de 90°C sem pré-lavagem.

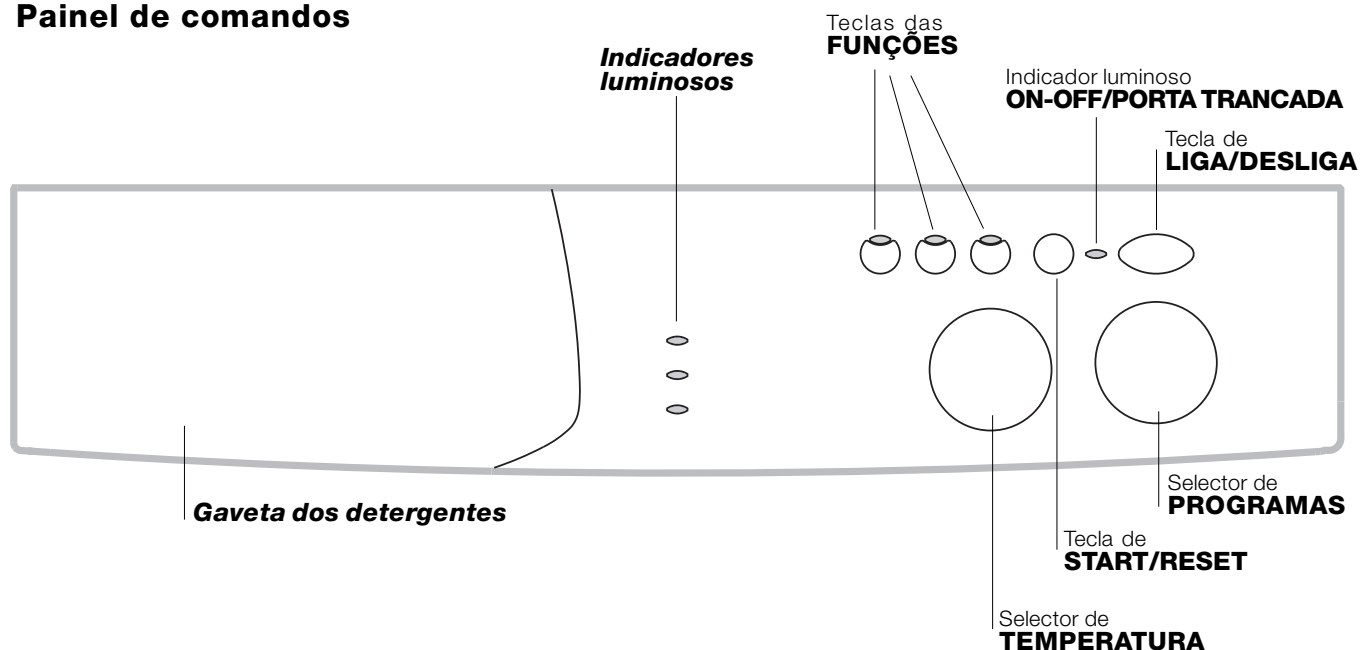
Dados técnicos

Modelo	WIN 82
Medidas	largura 59,5 cm. altura 85 cm. profundidade 52,5 cm.
Capacidade	de 1 a 5 kg.
Ligações eléctricas	veja a placa das características técnicas colocada na máquina
Ligações hídricas	pressão máxima 1 MPa (10 bars) pressão mínima 0,05 MPa (0,5 bar) capacidade do tambor 46 litros
Velocidade da centrifugação	até 800 rotações por minuto
Programas de controlo segundo a norma EN 60456	programa 3; temperatura 60°C; realizado com carga de 5 kg.
 	Esta aparelhagem é em conformidade com as seguintes Directivas Comunitárias: - 89/336/CEE dl 03/05/89 (Compatibilidade Electromagnética) e posteriores modificações. - 2006/95/CE (Baixa Tensão) - 2002/96/CE

Descrição da máquina de lavar roupa

PT

Painel de comandos



Gaveta dos detergentes: para carregar detergentes e aditivos (veja a *pág. 44*).

Indicadores luminosos: Indicam a fase do programa de lavagem.

Teclas das **FUNÇÕES:** para seleccionar as funções disponíveis. A tecla correspondente à função seleccionada permanecerá acesa.

Selector da **TEMPERATURA:** para definir a temperatura ou a lavagem a frio (veja a *pág. 43*).

Tecla de **START/RESET:** para iniciar os programas ou apagar programações erradas.

Indicador luminoso **ON-OFF /PORTA TRANCADA:** para saber se a máquina de lavar roupa está ligada e se é possível abri-la (veja a *pág. 41*).

Tecla **LIGA/DESLIGA:** para ligar e desligar a máquina de lavar roupa.

Selector de **PROGRAMAS:** para escolher os programas. Durante o programa o selector permanece parado.

Indicadores luminosos

Os indicadores luminosos fornecem informações importantes.

Vejamos o que significam:

Fase em curso:

Durante o ciclo de lavagem os indicadores luminosos acender-se-ão progressivamente para indicar a fase do programa:



Lavagem



Enxaguamento



Centrifugação

Observação: durante a fase de descarga acender-se-á o indicador luminoso correspondente à fase de Centrifugação.

Teclas das funções

AS TECLAS DAS FUNÇÕES também funcionam como indicadores luminosos.

Se seleccionar uma função a respectiva tecla acender-se-á.

Se a função seleccionada não for compatível com o programa definido, a tecla ficará intermitente e a função não será activada.

Se for seleccionada uma função incompatível com outra anteriormente seleccionada, permanecerá activa somente a última seleccionada.

Indicador luminoso ON-OFF/PORTA TRANCADA

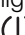
O indicador luminoso aceso indica que a porta está trancada para impedir aberturas acidentais; para evitar danos é necessário aguardar que o indicador luminoso esteja intermitente antes de abrir a porta.

! O indicador luminoso ON-OFF/PORTA TRANCADA piscando rápida e intermitentemente, juntamente com outro indicador luminoso indica uma anomalia (veja a *pág. 47*).

Início e Programas

PT

Como iniciar um programa

1. Para ligar a máquina de lavar roupa, carregue na tecla . Todos os indicadores luminosos acender-se-ão alguns segundos e, em seguida, se apagarão e o indicador luminoso ON-OFF/PORTA TRANCADA ficará intermitente.
2. Coloque dentro a roupa e feche.
3. Seleccione através do selector de PROGRAMAS o programa que desejar.
4. Seleccione a temperatura de lavagem (veja a pág. 43).







5. Coloque o detergente e os aditivos (veja a pág. 44).
6. Para iniciar o programa carregue na tecla START/RESET.
Para anular mantenha pressionada a tecla START/RESET pelo menos 2 segundos.
7. No final do programa, o indicador luminoso ON-OFF/PORTA TRANCADA passará a intermitente para indicar que a porta pode ser aberta. Tire a roupa lavada de dentro e deixe a porta entreaberta para que o tambor seque. Para desligar a máquina de lavar roupa, carregue na tecla .

Tabela dos programas

Natureza dos tecidos / sujidade	Programas	Temperatura	Detergente		Amaciador	Duração do ciclo (minutos)	Descrição do ciclo de lavagem
			Pré-lav.	Lavag.			
Algodões							
Branços muito sujos (lençóis, toalhas etc.)	1	90°C	•	•	•	167	Pré-lavagem, lavagem, enxaguamento, centrifugações intermediárias e final
Branços muito sujos (lençóis, toalhas etc.)	2	90°C		•	•	152	Lavagem, enxaguamentos, centrifugações intermediárias e final
Branços e coloridos resistentes muito sujos	3	60°C		•	•	158	Lavagem, enxaguamentos, centrifugações intermediárias e final
Branços e coloridos delicados muito sujos	3	40°C		•	•	143	Lavagem, enxaguamentos, centrifugações intermediárias e final
Branços pouco sujos e cores delicadas (camisas, camisolas etc.)	4	40°C		•	•	99	Lavagem, enxaguamentos, centrifugações intermediárias e final
Coloridos delicados pouco sujos	5	30°C		•	•	92	Lavagem, enxaguamentos, centrifugações intermediárias e final
Sintéticos							
Coloridos resistentes muito sujos (roupas de bebé etc.)	6	60°C		•	•	80	Lavagem, enxaguamentos, anti-rugas ou centrifugação delicada
Cores resistentes (roupas de todos os tipos levemente suja)	6	40°C		•	•	71	Lavagem, enxaguamentos, anti-rugas ou centrifugação delicada
Coloridos resistentes muito sujos (roupas de bebé etc.)	7	50°C		•	•	75	Lavagem, enxaguamentos, anti-rugas ou centrifugação delicada
Cores delicadas (roupas de todos os tipos ligeiramente sujas)	8	40°C		•	•	71	Lavagem, enxaguamentos, anti-rugas ou centrifugação delicada
Cores delicadas (roupas de todos os tipos ligeiramente sujas)	9	30°C		•	•	30	Lavagem, enxaguamentos e centrifugação delicada
Delicados							
Lã	10	40°C		•	•	50	Lavagem, enxaguamentos e centrifugação delicada
Tecidos muito delicados (cortinas, seda, viscose etc.)	11	30°C		•	•	52	Lavagem, enxaguamentos, anti-rugas ou descarga
PROGRAMAS PARCIAIS							
Enxaguamento					•		Enxaguamentos e centrifugação
Enxaguamento delicado					•		Enxaguamentos, anti-rugas ou descarga
Centrifugação							Descarga e centrifugação enérgica
Centrifugação delicada							Descarga e centrifugação delicada
Descarga							Descarga

Observações

Para a descrição da função Anti-rugas veja-se pág. 43. Os dados apresentados na tabela têm valor indicativo.

Programa especial

Diário 30' (programa 9 para Sintéticos) foi estudado para lavar peças levemente sujas em pouco tempo; dura apenas 30 minutos e, desta maneira, economiza energia e tempo. Se regular o programa (9 a 30°C) será possível lavar juntos tecidos de natureza diferente (excepto lã e seda), com uma carga máxima de 3 Kg. Aconselhamos a utilização de detergente líquido.

Selecione a temperatura

Gire o selector da TEMPERATURA para seleccionar a temperatura de lavagem (veja a Tabela dos programas na pág. 42). A temperatura pode ser diminuída até à lavagem a frio (❄).




PT

Funções

As várias funções de lavagem da máquina de lavar roupa possibilitam obter a máxima limpeza e branquear o que desejar. Para activar as funções:

1. carregue na tecla correspondente à função que desejar, segundo a tabela abaixo;
2. a respectiva tecla acende-se para avisar que a função está activa.

Observação: Se a tecla acender intermitentemente, significa que a respectiva função não pode ser seleccionada para o programa definido.

Funções	Efeito	Observações para utilização	Possível nos programas:
 Rápido	Diminuiu em cerca de 30% o duração do ciclo de lavagem.		1, 2, 3, 4, 5, 6, 7, 8
 Enxaguamento Extra	Aumenta a eficácia do enxaguamento	É aconselhável se a máquina de lavar roupa estiver muito cheia ou com uma grande dose de detergente.	1, 2, 3, 4, 5, 6, 7, 8, Enxaguamentos
 Exclusão centrifugação	Carregue este botão para a máquina de lavar roupa não efectuar mais a centrifuga, mas apenas uma rotação do tambor com velocidade moderada para facilitar o escoamento da água.	É aconselhável utilizá-lo quando lavar roupas difíceis de passar a ferro.	Todos os programas excepto o 11 e a descarga.

Anti-rugas

Esta função interrompe o programa de lavagem e mantém a roupa de molho na água antes de descarregá-la.

É activa nos programas 6 - 7 - 8 - 11 e Enxaguamento delicado.

Para completar o ciclo carregue na tecla START/RESET.

Para efectuar apenas uma descarga, coloque o selector no correspondente símbolo  e carregue na tecla START/RESET.

Observações: Para evitar vibrações excessivas, antes de cada centrifugação, a máquina distribui a carga de maneira uniforme, isto é realizado efectuando rotações contínuas do tambor a uma velocidade ligeiramente superior à da lavagem.

Quando, apesar de várias tentativas, a carga não estiver perfeitamente distribuída, a máquina efectuará a centrifugação a uma velocidade inferior à programada.

Em presença de desequilíbrio excessivo, a máquina efectua a distribuição em vez da centrifugação.

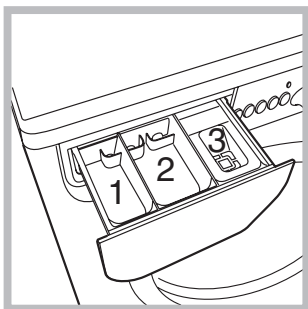
As eventuais tentativas de equilibrar podem alongar a duração total do ciclo até 10 minutos no máximo.

Detergentes e roupa

PT

Gaveta dos detergentes

O bom resultado da lavagem depende também do uso da dose certa de detergente: com excessos não se lava melhor, e contribui-se quer para a formação de incrustações nas peças internas da máquina de lavar, quer para a poluição do meio ambiente.



Tire a gaveta dos detergentes e deite o detergente ou o aditivo da seguinte maneira:

gaveta 1: Detergente para pré-lavagem (em pó)

gaveta 2: Detergente para lavagem (em pó ou líquido)

O detergente líquido deve ser colocado depois da máquina ter iniciado a lavagem.

gaveta 3: Aditivos (amaciador, etc.)

O amaciador não deve ultrapassar a rede.

! Não use detergentes para lavagem à mão, porque fazem demasiada espuma.

Preparar a roupa

- Separe a roupa em função:
 - do tipo de tecido / do símbolo na etiqueta.
 - as cores: separe as peças coloridas das brancas.
- Esvazie as algibeiras e verifique se há botões soltos.
- Não ultrapasse os valores indicados referentes ao peso da roupa enxuta:
 - Tecidos resistentes: máx. 5 kg.
 - Tecidos sintéticos: máx. 2,5 kg.
 - Tecidos delicados: máx. 2 kg.
 - Lã máx. 1 kg.

Quanto pesa a roupa?

- 1 lençol 400 - 500 g.
- 1 fronha 150 - 200 g.
- 1 toalha de mesa 400 - 500 g.
- 1 roupão 900 - 1.200 g.
- 1 toalha de rosto 150 - 250 g.

Roupas especiais

Cortinas: dobre-as bem e coloque-as dentro de uma fronha ou de um saquinho de rede. Lave-as separadas, sem ultrapassar a meia carga. Utilize o programa 11 que exclui automaticamente a centrifugação.

Edredões e anoraques: se forem acolchoadas com penas de ganso ou pato, podem ser lavados na máquina de lavar roupa. Vire as peças do avesso e coloque no máximo de 2-3 kg., repita o enxaguamento uma ou duas vezes e utilize a centrifugação delicada.

Lã: para obter os melhores resultados, utilize um detergente específico e não ultrapasse 1 kg. de carga.

! Esta máquina de lavar roupa foi projectada e fabricada em conformidade com os regulamentos internacionais de segurança. Estas advertências são fornecidas por razões de segurança e devem ser lidas com atenção.

Segurança geral

- Este aparelho foi projectado para um uso doméstico.
- Esta máquina de lavar roupa deve ser utilizada somente por pessoas adultas e conforme as instruções apresentadas neste manual.
- Não toque na máquina com os pés descalços nem com as mãos ou os pés molhados ou húmidos.
- Não puxe o cabo eléctrico para tirar a ficha da tomada, pegue somente na ficha.
- Não abra a gaveta dos detergentes enquanto a máquina estiver a funcionar.
- Não toque na água de descarga, pois poderá estar muito quente.
- Em nenhum caso force a porta para abri-la: poderá danificar o mecanismo de segurança que a protege contra aberturas acidentais.
- Se houver avarias, não mexa em caso algum nos mecanismos internos para tentar reparar.
- Verifique sempre que as crianças não se aproximem da máquina em funcionamento.
- Durante a lavagem a porta de vidro tende a aquecer.
- Se for preciso deslocar a máquina, são precisas pelo menos duas ou três pessoas, não tente fazê-lo sozinho porque a máquina é muito pesada.
- Antes de colocar a roupa verifique se o tambor está vazio.

Eliminação

- Elimine a embalagem obedecendo aos regulamentos locais, de maneira a que as embalagens possam ser reutilizadas.
- A directiva Europeia 2002/96/CE referente à gestão de resíduos de aparelhos eléctricos e electrónicos, prevê que os electrodomésticos não devem ser escoados no fluxo normal dos resíduos sólidos urbanos. Os aparelhos desactualizados devem ser recolhidos separadamente para otimizar a taxa de recuperação e reciclagem dos materiais que os compõem e impedir potenciais danos para a saúde humana e para o ambiente. O símbolo constituído por um contentor de lixo barrado com uma cruz deve ser colocado em

todos os produtos por forma a recordar a obrigatoriedade de recolha separada.

Os consumidores devem contactar as autoridades locais ou os pontos de venda para solicitar informação referente ao local apropriado onde devem depositar os electrodomésticos velhos.

Economizar e respeitar o meio ambiente

Tecnologia ao serviço do meio ambiente

Se pela porta de vidro notar pouca água é porque, com a nova tecnologia Indesit, é suficiente menos de metade da água para se obter a limpeza máxima: uma meta atingida para respeitar o meio ambiente.

Economizar detergente, água, energia e tempo

- Para não desperdiçar recursos, é necessário utilizar a máquina de lavar roupa com a carga máxima. Uma carga plena em vez de duas cargas pela metade permite economizar até 50% de energia.
- A pré-lavagem só é necessária para roupa muito suja. Evite-a para economizar detergente, tempo, água e entre 5 e 15% de energia.
- Trate as nódoas com um produto anti-nódoas ou deixe de molho antes de lavar, desta maneira diminui a necessidade de lavar com altas temperaturas. Um programa a 60°C em vez de 90°C ou a 40°C em vez de 60°C, economiza até 50% de energia.
- Se dosear bem o detergente em função da dureza da água, do nível de sujidade e da quantidade de roupa, evitará desperdícios e protegerá o meio ambiente: mesmo os detergentes biodegradáveis contêm componentes que alteram o equilíbrio da natureza. Evite sempre que possível o uso de amaciador.
- Lavar desde o fim da tarde até as primeiras horas da manhã ajuda a diminuir a carga de absorção das empresas eléctricas.
- Se for secar a roupa num secador, seleccione uma velocidade de centrifugação mais alta. Se houver pouca água na roupa economizará tempo e energia no programa de secagem.

Manutenção e cuidados

PT

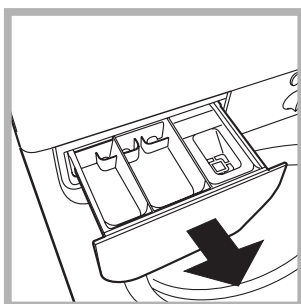
Interromper a alimentação de água e de corrente eléctrica

- Feche a torneira da água depois de cada lavagem. Desta maneira diminui-se o desgaste do sistema hidráulico da máquina de lavar roupa e elimina-se o risco de inundação.
- Tire a ficha da tomada eléctrica quando for limpar a máquina de lavar roupa e durante os trabalhos de manutenção.

Limpar a máquina de lavar roupa

A parte externa e as peças em borracha podem ser limpas com um pano molhado com água morna e sabão. Não empregue solventes nem abrasivos.

Limpar a gaveta dos detergentes



Para tirar a gaveta, puxe-a para fora (veja a figura). Lave-a com água corrente; esta limpeza deve ser efectuada frequentemente.

Cuidados com a porta de vidro e o tambor

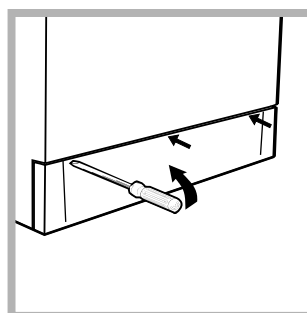
- Deixe a porta sempre entreaberta para evitar que se formem odores desagradáveis.

Limpar a bomba

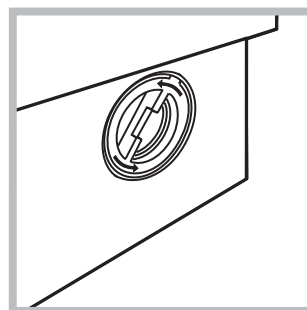
Esta máquina de lavar roupa é equipada com uma bomba com limpeza automática que não precisa de operações de manutenção. Entretanto pode acontecer que pequenos objectos (moedas, botões) caiam na pré-câmara que protege a bomba, situada na parte inferior da mesma.

! Certifique-se que o ciclo de lavagem tenha terminado e tire a ficha da tomada.

Para obter acesso à pré-câmara:



1. tire o painel de cobertura da parte dianteira da máquina de lavar roupa com ajuda de uma chave de fendas (veja a figura);



2. para desenroscar a tampa gire-a na direcção contrária aos ponteiros do relógio (veja a figura): é normal que perca um pouco de água;

3. limpe o interior com cuidado;
4. enrosque outra vez a tampa;
5. monte outra vez o painel, certifique-se, antes de empurrar a máquina, que os ganchos foram colocados nas respectivas ranhuras.

Verificar o tubo de alimentação de água

Verifique o tubo de alimentação pelo menos uma vez por ano. Se houver rachas ou fendas, será necessário substituí-lo: durante as lavagens as fortes pressões podem dar origem a estas situações.

! Nunca utilize tubos já usados.

Pode acontecer que a máquina de lavar roupa não funcione. Antes de telefonar para a Assistência Técnica (veja a *pág. 48*), verifique que não se trata de um problema fácil de resolver com ajuda da seguinte lista:

Anomalias:

A máquina de lavar roupa não liga.

O ciclo de lavagem não inicia.

A máquina de lavar roupa não carrega água.

A máquina de lavar roupa carrega e descarrega água continuamente.

A máquina de lavar roupa não descarrega ou nem realiza centrifugação.

A máquina de lavar roupa vibra muito durante a centrifugação.


Da máquina de lavar roupa está a perder água.

Se o indicador luminoso ON-OFF/PORTA TRANCADA piscar rápida e intermitentemente ao mesmo tempo, que pelo menos outro indicador luminoso.

Está a formar-se demasiada espuma.

Possíveis causas / Solução:

- A ficha não está colocada na tomada eléctrica, ou não o suficiente para haver contacto.
- Em casa não há corrente.

- A porta da máquina não está bem fechada.
- A tecla  não foi pressionada.
- A tecla START/RESET não foi pressionada.
- A torneira da água não está aberta.

- O tubo de alimentação de água não está ligado à torneira.
- O tubo está dobrado.
- A torneira da água não está aberta.
- Está a faltar água em casa.
- Não há pressão suficiente.
- A tecla START/RESET não foi pressionada.

- O tubo de descarga não está instalado entre 65 e 100 cm. de altura do chão (veja a *pág. 39*).
- A ponta do tubo de descarga está emergida na água (veja a *pág. 39*).
- A descarga na parede não tem ventilação de ar.

Se depois destas verificações o problema não for resolvido, feche a torneira da água, desligue a máquina de lavar roupa e chame a assistência técnica. Se a sua casa é nos últimos andares de um edifício, é possível que aconteçam fenómenos de sifão, e por isso a máquina de lavar roupa carrega e descarrega água continuamente. Para eliminar este inconveniente, há à venda no mercado válvulas apropriadas contra o efeito sifão.

- O programa não faz a descarga: com alguns programas será necessário iniciar a descarga manualmente (veja a *pág. 42*).
- Está activada a função "Anti-rugas": para completar o programa carregue na tecla START/RESET (veja a *pág. 43*).
- O tubo de descarga está dobrado (veja a *pág. 39*).
- A conduta de descarga está entupida.

- O tambor, no momento da instalação, não foi liberado correctamente (veja a *pág. 38*).
- A máquina de lavar roupa não está nivelada (veja a *pág. 38*).
- A máquina de lavar roupa está apertada entre móveis e parede (veja a *pág. 38*).

- O tubo de alimentação da água não está bem enroscado (veja a *pág. 38*).
- O gaveta dos detergentes está entupida (para limpá-la veja a *pág. 46*).
- O tubo de descarga não está bem preso (veja a *pág. 39*).

- Desligue a máquina e tire a ficha da tomada, aguarde aproximadamente 1 minuto e volte a ligá-la.
Se a anomalia persistir, contacte a Assistência Técnica.

- O detergente não é específico para máquina de lavar roupa (deve haver a escrita "para máquina de lavar", "à mão e para máquina de lavar" ou similares).
- A dose de detergente foi excessiva.

Assistência

PT

Antes de contactar a Assistência Técnica:

- Verifique se consegue resolver a anomalia (*veja a pág. 47*);
- Reinicie o programa para verificar se o inconveniente foi resolvido;
- Em caso negativo, contacte a assistência técnica autorizada no número de telefone indicado no certificado de garantia.

! Nunca recorra a técnicos não autorizados.

Comunique:

- o tipo de anomalia;
- o modelo da máquina (Mod.);
- o número de série (S/N).

Estas informações encontram-se na placa colocada na parte traseira da máquina de lavar roupa.



Italiano

WIN 82

Sommario

Installazione, 50-51

Disimballo e livellamento
Collegamenti idraulici ed elettrici
Primo ciclo di lavaggio
Dati tecnici

Descrizione della lavabiancheria, 52-53

Pannello di controllo
Spie

Avvio e Programmi, 54

In breve: avviare un programma
Tabella dei programmi

Personalizzazioni, 55

Impostare la temperatura
Funzioni

Detersivi e biancheria, 56

Cassetto dei detersivi
Preparare la biancheria
Capi particolari

Precauzioni e consigli, 57

Sicurezza generale
Smaltimento
Risparmiare e rispettare l'ambiente

Manutenzione e cura, 58

Escludere acqua e corrente elettrica
Pulire la lavabiancheria
Pulire il cassetto dei detersivi
Curare oblò e cestello
Pulire la pompa
Controllare il tubo di alimentazione dell'acqua

Anomalie e rimedi, 59

Assistenza, 60

Installazione

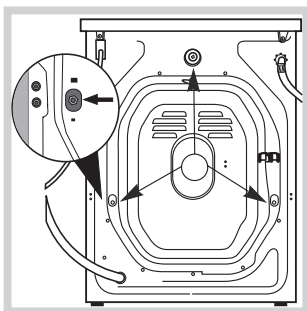
! È importante conservare questo libretto per poterlo consultare in ogni momento. In caso di vendita, di cessione o di trasloco, assicurarsi che resti insieme alla lavabiancheria per informare il nuovo proprietario sul funzionamento e sui relativi avvertimenti.

! Leggere attentamente le istruzioni: ci sono importanti informazioni sull'installazione, sull'uso e sulla sicurezza.

Disimballo e livellamento

Disimballo

1. Disimballare la lavabiancheria.
2. Controllare che la lavabiancheria non abbia subito danni nel trasporto. Se fosse danneggiata non collegarla e contattare il rivenditore.



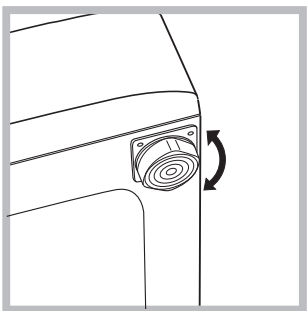
3. Rimuovere le 3 viti di protezione per il trasporto e il gommino con il relativo distanziale, posti nella parte posteriore (vedi figura).

4. Chiudere i fori con i tappi di plastica in dotazione.
5. Conservare tutti i pezzi: qualora la lavabiancheria debba essere trasportata, dovranno essere rimontati.

! Gli imballaggi non sono giocattoli per bambini.

Livellamento

1. Installare la lavabiancheria su un pavimento piano e rigido, senza appoggiarla a muri, mobili o altro.

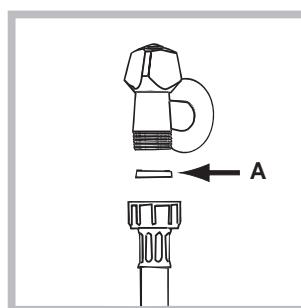


2. Se il pavimento non fosse perfettamente orizzontale, compensare le irregolarità svitando o avvitando i piedini anteriori (vedi figura); l'angolo di inclinazione, misurato sul piano di lavoro, non deve superare i 2°.

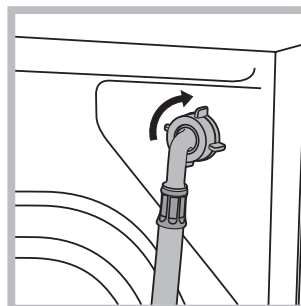
Un accurato livellamento dà stabilità alla macchina ed evita vibrazioni, rumori e spostamenti durante il funzionamento. In caso di moquette o di un tappeto, regolare i piedini in modo da conservare sotto la lavabiancheria uno spazio sufficiente per la ventilazione.

Collegamenti idraulici ed elettrici

Collegamento del tubo di alimentazione dell'acqua



1. Inserire la guarnizione A nell'estremità del tubo di alimentazione e avvitarlo a un rubinetto d'acqua fredda con bocca filettata da 3/4 gas (vedi figura). Prima di allacciare, far scorrere l'acqua finché non sia limpida.



2. Collegare il tubo di alimentazione alla lavabiancheria avvitandolo all'apposita presa d'acqua, nella parte posteriore in alto a destra (vedi figura).

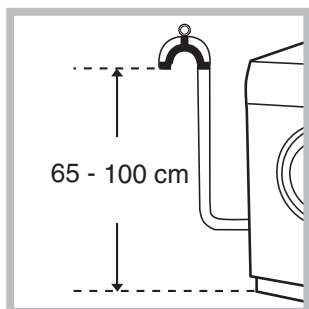
3. Fare attenzione che nel tubo non ci siano né pieghe né strozzature.

! La pressione idrica del rubinetto deve essere compresa nei valori della tabella Dati tecnici (vedi pagina a fianco).

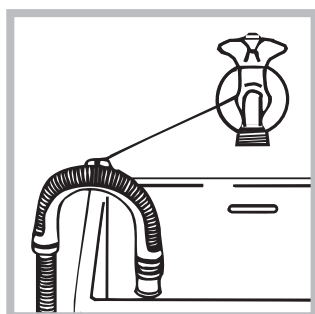
! Se la lunghezza del tubo di alimentazione non fosse sufficiente, rivolgersi a un negozio specializzato o a un tecnico autorizzato.

! Non utilizzare mai tubi già usati.

Collegamento del tubo di scarico



Collegare il tubo di scarico, senza piegarlo, a una condotta di scarico o a uno scarico a muro posti tra 65 e 100 cm da terra;



oppure appoggiarlo al bordo di un lavandino o di una vasca, legando la guida in dotazione al rubinetto (*vedi figura*). L'estremità libera del tubo di scarico non deve rimanere immersa nell'acqua.

! È sconsigliato usare tubi di prolunga; se indispensabile, la prolunga deve avere lo stesso diametro del tubo originale e non superare i 150 cm.

Collegamento elettrico

Prima di inserire la spina nella presa della corrente, accertarsi che:

- la presa abbia la messa a terra e sia a norma di legge;
- la presa sia in grado di sopportare il carico massimo di potenza della macchina, indicato nella tabella Dati tecnici (*vedi a fianco*);
- la tensione di alimentazione sia compresa nei valori indicati nella tabella Dati tecnici (*vedi a fianco*);
- la presa sia compatibile con la spina della lavabiancheria. In caso contrario sostituire la presa o la spina.

! La lavabiancheria non va installata all'aperto, nemmeno se lo spazio è riparato, perché è molto pericoloso lasciarla esposta a pioggia e temporali.

! A lavabiancheria installata, la presa della corrente deve essere facilmente raggiungibile.

! Non usare prolunghe e multiple.

! Il cavo non deve subire piegature o compressioni.

! Il cavo di alimentazione deve essere sostituito solo da tecnici autorizzati.

Attenzione! L'azienda declina ogni responsabilità qualora queste norme non vengano rispettate.

Primo ciclo di lavaggio

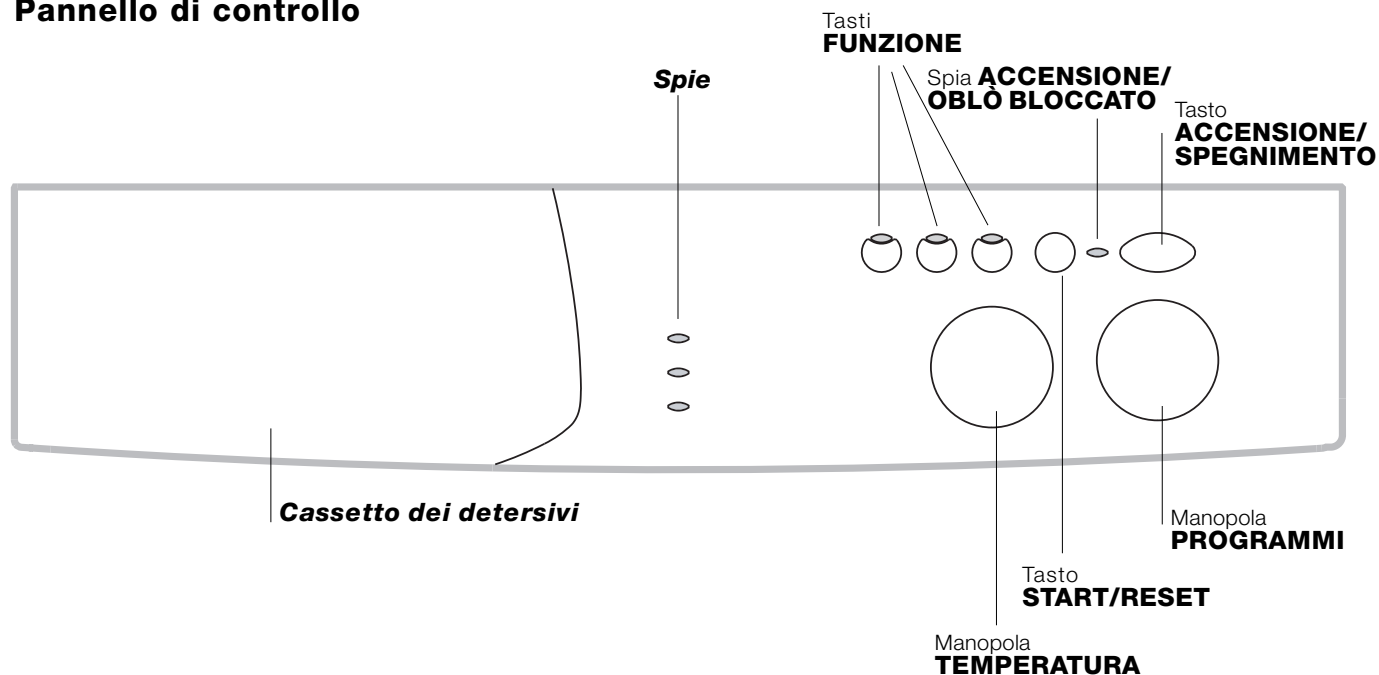
Dopo l'installazione, prima dell'uso, effettuare un ciclo di lavaggio con detersivo e senza biancheria impostando il programma a 90°C senza prelavaggio.

Dati tecnici

Modello	WIN 82
Dimensioni	larghezza cm 59,5 altezza cm 85 profondità cm 52,5
Capacità	da 1 a 5 kg
Collegamenti elettrici	vedi la targhetta caratteristiche tecniche applicata sulla macchina
Collegamenti idrici	pressione massima 1 MPa (10 bar) pressione minima 0,05 MPa (0,5 bar) capacità del cesto 46 litri
Velocità di centrifuga	sino a 800 giri al minuto
Programmi di controllo secondo la norma EN 60456	programma 3; temperatura 60°C; effettuato con 5 kg di carico.
	Questa apparecchiatura è conforme alle seguenti Direttive Comunitarie: - 89/336/CEE del 03/05/89 (Compatibilità Elettromagnetica) e successive modificazioni - 2006/95/CE (Bassa Tensione) - 2002/96/CE

Descrizione della lavabiancheria

Pannello di controllo



Cassetto dei detersivi per caricare detersivi e additivi (vedi pag. 56).

Spie per seguire lo stato di avanzamento del programma di lavaggio.

Tasti **FUNZIONE** per selezionare le funzioni disponibili. Il tasto relativo alla funzione selezionata rimarrà acceso.

Manopola **TEMPERATURA** per impostare la temperatura o il lavaggio a freddo (vedi pag. 55).

Tasto **START/RESET** per avviare i programmi o annullare quanto erroneamente impostato.

Spia **ACCENSIONE/OBLÒ BLOCCATO** per capire se la lavabiancheria è accesa e se l'oblò è apribile (vedi pag. 53).

Tasto **ACCENSIONE/SPEGNIMENTO** per accendere e spegnere la lavabiancheria.

Manopola **PROGRAMMI** per impostare i programmi (vedi pag. 54).



Durante il programma la manopola resta ferma.

Spie

Le spie forniscono informazioni importanti.
Ecco che cosa dicono:

Fase in corso:

Durante il ciclo di lavaggio le spie si accenderanno progressivamente per indicarne lo stato di avanzamento:

  Lavaggio

  Risciacquo

  Centrifuga

Nota: durante la fase di scarico si illuminerà la spia relativa alla fase Centrifuga.

Tasti funzione

I TASTI FUNZIONE fungono anche da spie.
Selezionando una funzione il relativo tasto si illuminerà.
Se la funzione selezionata non è compatibile con il programma impostato il tasto lampeggerà e la funzione non verrà attivata.
Nel caso venga impostata una funzione incompatibile con un'altra precedentemente selezionata rimarrà attiva solo l'ultima scelta.

Spia ACCENSIONE/OBLÒ BLOCCATO

La spia accesa indica che l'oblò è bloccato per impedire aperture accidentali; per evitare danni è necessario attendere che la spia lampeggi prima di aprire l'oblò.

! Il lampeggio veloce della spia ACCENSIONE/OBLÒ BLOCCATO contemporaneo a quello di almeno un'altra spia segnala un'anomalia (vedi pag. 59).

Avvio e Programmi

In breve: avviare un programma








1. Accendere la lavabiancheria premendo il tasto . Tutte le spie si accenderanno per qualche secondo, poi si spengono e la spia ACCENSIONE/OBLÒ BLOCCATO inizierà a lampeggiare.
2. Caricare la biancheria e chiudere l'oblò.
3. Impostare con la manopola PROGRAMMI il programma desiderato.
4. Impostare la temperatura di lavaggio (vedi pag. 55).
5. Versare detersivo e additivi (vedi pag. 56).
6. Avviare il programma premendo il tasto START/RESET. Per annullare il ciclo impostato premere il tasto START/RESET per 2 secondi.
7. Al termine del programma la spia ACCENSIONE/OBLÒ BLOCCATO lampeggerà indicando che l'oblò è apribile. Estrarre la biancheria e lasciare l'oblò socchiuso per far asciugare il cestello. Spegnerne la lavabiancheria premendo il tasto .

Tabella dei programmi

Natura dei tessuti e dello sporco	Programmi	Temperatura	Detersivo		Ammorbidente	Durata del ciclo (minuti)	Descrizione del ciclo di lavaggio
			prelav.	lavag.			
Cotone							
Bianchi estremamente sporchi (lenzuola, tovaglie, ecc.)	1	90°C	•	•	•	167	Prelavaggio, lavaggio, risciacqui, centrifughe intermedie e finale
Bianchi estremamente sporchi (lenzuola, tovaglie, ecc.)	2	90°C		•	•	152	Lavaggio, risciacqui, centrifughe intermedie e finale
Bianchi e colorati resistenti molto sporchi	3	60°C		•	•	158	Lavaggio, risciacqui, centrifughe intermedie e finale
Bianchi e colorati delicati molto sporchi	3	40°C		•	•	143	Lavaggio, risciacqui, centrifughe intermedie e finale
Bianchi poco sporchi e colori delicati (camice, maglie, ecc.)	4	40°C		•	•	99	Lavaggio, risciacqui, centrifughe intermedie e finale
Colorati delicati poco sporchi	5	30°C		•	•	92	Lavaggio, risciacqui, centrifughe intermedie e finale
Sintetici							
Colori resistenti molto sporchi (biancheria per neonati, ecc.)	6	60°C		•	•	80	Lavaggio, risciacqui, anti piega o centrifuga delicata
Colori resistenti (biancheria di tutti i tipi leggermente sporca)	6	40°C		•	•	71	Lavaggio, risciacqui, anti piega o centrifuga delicata
Colori resistenti molto sporchi (biancheria per neonati, ecc.)	7	50°C		•	•	75	Lavaggio, risciacqui, anti piega o centrifuga delicata
Colori delicati (biancheria di tutti i tipi leggermente sporca)	8	40°C		•	•	71	Lavaggio, risciacqui, anti piega o centrifuga delicata
Colori delicati (biancheria di tutti i tipi leggermente sporca)	9	30°C		•	•	30	Lavaggio, risciacqui, e centrifuga delicata
Delicati							
Lana	10	40°C		•	•	50	Lavaggio, risciacqui e centrifuga delicata
Tessuti molto delicati (tende, seta, viscosa, ecc.)	11	30°C		•	•	52	Lavaggio, risciacqui, anti piega o scarico
PROGRAMMI PARZIALI							
Risciacquo					•		Risciacqui e centrifuga
Risciacquo delicato					•		Risciacqui, anti piega o scarico
Centrifuga							Scarico e centrifuga energica
Centrifuga delicata							Scarico e centrifuga delicata
Scarico							Scarico

Note

Per la descrizione della funzione Antipiega vedi pag. 55. I dati riportati nella tabella hanno valore indicativo.

Programma speciale

Refresh (programma 9 per Sintetici) è studiato per lavare capi leggermente sporchi in poco tempo: dura solo 30 minuti e fa così risparmiare energia e tempo. Impostando il programma (9 a 30°C) è possibile lavare insieme tessuti di diversa natura (esclusi lana e seta) con un carico massimo di 3 kg. *Si consiglia l'uso di detersivo liquido.*

Impostare la temperatura




Ruotando la manopola TEMPERATURA si imposta la temperatura di lavaggio (vedi Tabella dei programmi a pag. 54). La temperatura si può ridurre sino al lavaggio a freddo (❄).

Funzioni

Le varie funzioni di lavaggio previste dalla lavabiancheria permettono di ottenere la pulizia e il bianco desiderati. Per attivare le funzioni:

1. premere il tasto relativo alla funzione desiderata, secondo la tabella sottostante;
2. l'accensione del tasto relativo segnala che la funzione è attiva.


Nota: Il lampeggio veloce del tasto indica che la funzione relativa non è selezionabile per il programma impostato.

Funzioni	Effetto	Note per l'uso	Attiva con i programmi:
 Rapido	Riduce del 30% circa la durata del ciclo di lavaggio.		1, 2, 3, 4, 5, 6, 7, 8
 Extra Risciacquo	Aumenta l'efficacia del risciacquo.	E' consigliata con lavabiancheria a pieno carico o con dosi elevate di detersivo.	1, 2, 3, 4, 5, 6, 7, 8, Risciacqui.
 No centrifuga	La lavabiancheria non effettua la centrifuga, ma una rotazione del cesto a velocità moderata per agevolare lo scarico dell'acqua.	E' consigliata quando si lavano capi difficili da stirare.	Tutti tranne 11 e Scarico.

Antipiega

Questa funzione interrompe il programma di lavaggio mantenendo la biancheria in ammollo nell'acqua prima dello scarico. È attiva nei programmi 6 - 7 - 8 - 11 e Risciacquo delicato.

Per completare il ciclo premere il tasto START/RESET.

Per effettuare solo lo scarico posizionare la manopola sul simbolo relativo  e premere il tasto START/RESET.

Nota: Per evitare vibrazioni eccessive prima di ogni centrifuga la macchina distribuisce il carico in modo uniforme, questo avviene effettuando delle rotazioni continue del cesto ad una velocità leggermente superiore a quella di lavaggio.

Quando nonostante ripetuti tentativi il carico non viene perfettamente distribuito, la macchina effettua la centrifuga ad una velocità inferiore a quella prevista.

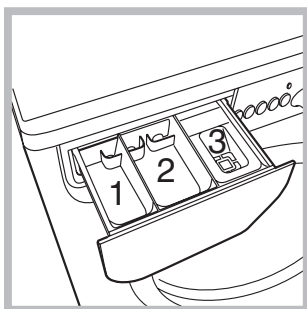
In presenza di eccessivo sbilanciamento la macchina effettua la distribuzione al posto della centrifuga.

Gli eventuali tentativi di bilanciamento possono allungare la durata totale del ciclo fino ad un massimo di 10 minuti.

Detersivi e biancheria

Cassetto dei detersivi

Il buon risultato del lavaggio dipende anche dal corretto dosaggio del detersivo: eccedendo non si lava in modo più efficace e si contribuisce a incrostare le parti interne della lavabiancheria e a inquinare l'ambiente.



Estrarre il cassetto dei detersivi e inserire il detersivo o l'additivo come segue.

vaschetta 1: Detersivo per prelavaggio (in polvere)

vaschetta 2: Detersivo per lavaggio (in polvere o liquido)

Il detersivo liquido va versato solo prima dell'avvio.

vaschetta 3: Additivi (ammorbidente, ecc.)

L'ammorbidente non deve fuoriuscire dalla griglia.

! Non usare detersivi per il lavaggio a mano, perché formano troppa schiuma.

Preparare la biancheria

- Suddividere la biancheria secondo:
 - il tipo di tessuto / il simbolo sull'etichetta.
 - i colori: separare i capi colorati da quelli bianchi.
- Vuotare le tasche e controllare i bottoni.
- Non superare i valori indicati, riferiti al peso della biancheria asciutta:
 - Tessuti resistenti: max 5 kg
 - Tessuti sintetici: max 2,5 kg
 - Tessuti delicati: max 2 kg
 - Lana: max 1 kg

Quanto pesa la biancheria?

- 1 lenzuolo 400-500 gr.
- 1 federa 150-200 gr.
- 1 tovaglia 400-500 gr.
- 1 accappatoio 900-1.200 gr.
- 1 asciugamano 150-250 gr.

Capi particolari

Tende: piegarle e sistemarle dentro una federa o un sacchetto a rete. Lavarle da sole senza superare il mezzo carico. Utilizzare il programma 11 che esclude in automatico la centrifuga.

Piumini e giacche a vento: se l'imbottitura è d'oca o d'anatra si possono lavare nella lavabiancheria. Rivoltare i capi e fare un carico massimo di 2-3 kg, ripetendo il risciacquo una o due volte e utilizzando la centrifuga delicata.

Lana: per ottenere i migliori risultati utilizzare un detersivo specifico e non superare 1kg di carico.

! La lavabiancheria è stata progettata e costruita in conformità alle norme internazionali di sicurezza. Queste avvertenze sono fornite per ragioni di sicurezza e devono essere lette attentamente.

Sicurezza generale

- Questo apparecchio è stato concepito esclusivamente per un uso di tipo domestico.
- La lavabiancheria deve essere usata solo da persone adulte e secondo le istruzioni riportate in questo libretto.
- Non toccare la macchina a piedi nudi o con le mani o i piedi bagnati o umidi.
- Non staccare la spina dalla presa della corrente tirando il cavo, bensì afferrando la spina.
- Non aprire il cassetto dei detersivi mentre la macchina è in funzione.
- Non toccare l'acqua di scarico, che può raggiungere temperature elevate.
- Non forzare in nessun caso l'oblò: potrebbe danneggiarsi il meccanismo di sicurezza che protegge da aperture accidentali.
- In caso di guasto, in nessun caso accedere ai meccanismi interni per tentare una riparazione.
- Controllare sempre che i bambini non si avvicinino alla macchina in funzione.
- Durante il lavaggio l'oblò tende a scaldarsi.
- Se dev'essere spostata, lavorare in due o tre persone con la massima attenzione. Mai da soli perché la macchina è molto pesante.
- Prima di introdurre la biancheria controlla che il cestello sia vuoto.

Smaltimento

- Smaltimento del materiale di imballaggio: attenersi alle norme locali, così gli imballaggi potranno essere riutilizzati.
- La direttiva Europea 2002/96/CE sui rifiuti di apparecchiature elettriche ed elettroniche, prevede che gli elettrodomestici non debbano essere smaltiti nel normale flusso dei rifiuti solidi urbani. Gli apparecchi dismessi devono essere raccolti separatamente per ottimizzare il tasso di recupero e riciclaggio dei materiali che li compongono ed impedire potenziali danni per la salute e l'ambiente. Il simbolo del cestino barrato è riportato su tutti i prodotti per ricordare gli obblighi di raccolta separata.

Per ulteriori informazioni, sulla corretta dismissione degli elettrodomestici, i detentori potranno rivolgersi al servizio pubblico preposto o ai rivenditori.

Risparmiare e rispettare l'ambiente

Tecnologia a servizio dell'ambiente

Se nell'oblò si vede poca acqua è perché con la nuova tecnologia Indesit basta meno della metà dell'acqua per raggiungere il massimo pulito: uno scopo raggiunto per rispettare l'ambiente.

Risparmiare detersivo, acqua, energia e tempo

- Per non sprecare risorse bisogna utilizzare la lavabiancheria con il massimo carico. Un carico pieno al posto di due mezzi fa risparmiare fino al 50% di energia.
- Il prelavaggio è necessario solo per biancheria molto sporca. Evitarlo fa risparmiare detersivo, tempo, acqua e tra il 5 e il 15% di energia.
- Trattando le macchie con uno scioglimacchia o lasciandole in ammollo prima del lavaggio, si riduce la necessità di lavare ad alte temperature. Un programma a 60°C invece di 90°C o uno a 40°C invece di 60°C, fa risparmiare fino al 50% di energia.
- Dosare bene il detersivo in base alla durezza dell'acqua, al grado di sporco e alla quantità di biancheria evita sprechi e protegge l'ambiente: pur biodegradabili, i detersivi contengono elementi che alterano l'equilibrio della natura. Inoltre evitare il più possibile l'ammorbidente.
- Effettuando i lavaggi dal tardo pomeriggio fino alle prime ore del mattino si collabora a ridurre il carico di assorbimento delle aziende elettriche.
- Se il bucato deve essere asciugato in un asciugatore, selezionare un'alta velocità di centrifuga. Poca acqua nel bucato fa risparmiare tempo ed energia nel programma di asciugatura

Manutenzione e cura

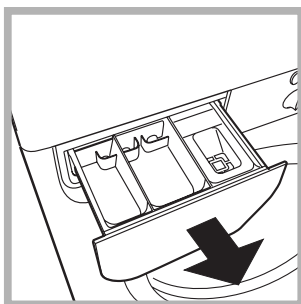
Escludere acqua e corrente elettrica

- Chiudere il rubinetto dell'acqua dopo ogni lavaggio. Si limita così l'usura dell'impianto idraulico della lavabiancheria e si elimina il pericolo di perdite.
- Staccare la spina della corrente quando si pulisce la lavabiancheria e durante i lavori di manutenzione.

Pulire la lavabiancheria

La parte esterna e le parti in gomma possono essere puliti con un panno imbevuto di acqua tiepida e sapone. Non usare solventi o abrasivi.

Pulire il cassetto dei detersivi



Sfilare il cassetto sollevandolo e tirandolo verso l'esterno (vedi figura). Lavarlo sotto l'acqua corrente; questa pulizia va effettuata frequentemente.

Curare oblò e cestello

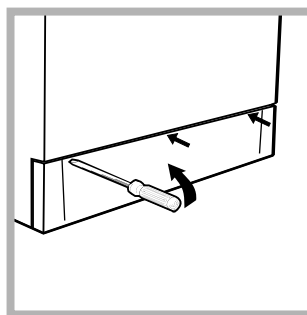
- Lasciare sempre socchiuso l'oblò per evitare che si formino cattivi odori.

Pulire la pompa

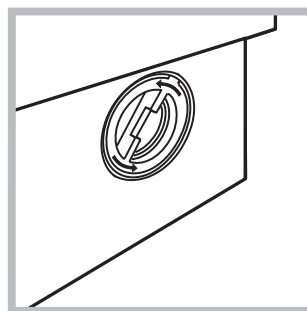
La lavabiancheria è dotata di una pompa autopulente che non ha bisogno di manutenzione. Può però succedere che piccoli oggetti (monete, bottoni) cadano nella precamera che protegge la pompa, situata nella parte inferiore di essa.

! Assicurarsi che il ciclo di lavaggio sia terminato e staccare la spina.

Per accedere alla precamera:



1. rimuovere il pannello di copertura sul lato anteriore della lavabiancheria con l'aiuto di un giravite (vedi figura);



2. svitare il coperchio ruotandolo in senso antiorario (vedi figura): è normale che fuoriesca un po' d'acqua;

3. pulire accuratamente l'interno;
4. riavvitare il coperchio;
5. rimontare il pannello assicurandosi, prima di spingerlo verso la macchina, di aver inserito i ganci nelle apposite asole.

Controllare il tubo di alimentazione dell'acqua

Controllare il tubo di alimentazione almeno una volta all'anno. Se presenta screpolature e fessure va sostituito: durante i lavaggi le forti pressioni potrebbero provocare improvvise spaccature.

! Non utilizzare mai tubi già usati.

Può accadere che la lavabiancheria non funzioni. Prima di telefonare all'Assistenza (*vedi pag. 60*), controllare che non si tratti di un problema facilmente risolvibile aiutandosi con il seguente elenco.

Anomalie:

La lavabiancheria non si accende.

Il ciclo di lavaggio non inizia.

La lavabiancheria non carica acqua.

La lavabiancheria carica e scarica acqua di continuo.

La lavabiancheria non scarica o non centrifuga.

La lavabiancheria vibra molto durante la centrifuga.

La lavabiancheria perde acqua.

La spia ACCENSIONE/OBLÒ BLOCCATO lampeggia in modo veloce contemporaneamente ad almeno un'altra spia.

Si forma troppa schiuma.

Possibili cause / Soluzione:

- La spina non è inserita nella presa della corrente, o non abbastanza da fare contatto.
- In casa non c'è corrente.
- L'oblò non è ben chiuso
- Il tasto (ⓘ) non è stato premuto.
- Il tasto START/RESET non è stato premuto.
- Il rubinetto dell'acqua non è aperto.
- Il tubo di alimentazione dell'acqua non è collegato al rubinetto.
- Il tubo è piegato.
- Il rubinetto dell'acqua non è aperto.
- In casa manca l'acqua.
- Non c'è sufficiente pressione.
- Il tasto START/RESET non è stato premuto.

- Il tubo di scarico non è installato fra 65 e 100 cm da terra (*vedi pag. 51*).
- L'estremità del tubo di scarico è immersa nell'acqua (*vedi pag. 51*).
- Lo scarico a muro non ha lo sfiato d'aria.

Se dopo queste verifiche il problema non si risolve, chiudere il rubinetto dell'acqua, spegnere la lavabiancheria e chiamare l'Assistenza. Se l'abitazione si trova agli ultimi piani di un edificio, è possibile che si verifichino fenomeni di sifonaggio, per cui la lavabiancheria carica e scarica acqua di continuo. Per eliminare l'inconveniente sono disponibili in commercio apposite valvole anti-sifonaggio.

- Il programma non prevede lo scarico: con alcuni programmi occorre avviarlo manualmente (*vedi pag. 54*).
- È attiva la funzione "Antipiega": per completare il programma premere il tasto START/RESET (*vedi pag. 55*).
- Il tubo di scarico è piegato (*vedi pag. 51*).
- La condotta di scarico è ostruita.

- Il cestello, al momento dell'installazione, non è stato sbloccato correttamente (*vedi pag. 50*).
- La lavabiancheria non è in piano (*vedi pag. 50*).
- La lavabiancheria è stretta tra mobili e muro (*vedi pag. 50*).

- Il tubo di alimentazione dell'acqua non è ben avvitato (*vedi pag. 50*).
- Il cassetto dei detersivi è intasato (per pulirlo *vedi pag. 58*).
- Il tubo di scarico non è fissato bene (*vedi pag. 51*).

- Spegnere la macchina e togliere la spina dalla presa, attendere circa 1 minuto quindi riaccenderla.
Se l'anomalia persiste, chiamare l'Assistenza.

- Il detersivo non è specifico per lavabiancheria (deve esserci la dicitura "per lavatrice", "a mano e in lavatrice", o simili).
- Il dosaggio è stato eccessivo.

Assistenza

Prima di contattare l'Assistenza:

- Verificare se l'anomalia può essere risolta da soli (*vedi pag. 59*);
- Riavviare il programma per controllare se l'inconveniente è stato ovviato;
- In caso negativo, contattare l'Assistenza tecnica autorizzata al numero telefonico indicato sul certificato di garanzia.

! Non ricorrere mai a tecnici non autorizzati.

Comunicare:

- il tipo di anomalia;
- il modello della macchina (Mod.);
- il numero di serie (S/N);

Queste informazioni si trovano sulla targhetta applicata nella parte posteriore della lavabiancheria.

GR

ΕΛΛΗΝΙΚΑ

WIN 82

GR

Περιεχόμενα

Εγκατάσταση, 62-63

Αποσυσκευασία και οριζοντίωση
Υδραυλικές και ηλεκτρικές συνδέσεις
Πρώτος κύκλος πλυσίματος
Τεχνικά στοιχεία

Περιγραφή του πλυντηρίου, 64-65

Ταμπλό ελέγχου
Ενδεικτικές λυχνίες λειτουργίας

Εκκίνηση και Προγράμματα, 66

Εν συντομία: εκκίνηση ενός προγράμματος
Πίνακας των προγραμμάτων

Προσωπικές Ρυθμίσεις, 67

Επιλέξτε τη θερμοκρασία
Λειτουργίες

Απορρυπαντικά και ρούχα, 68

Θήκη απορρυπαντικών
Προετοιμασία της πλύσης
Ειδικά ρούχα

Προφυλάξεις και συμβουλές, 69

Γενική ασφάλεια
Διάθεση
Εξοικονόμηση ενέργειας και σεβασμός του περιβάλλοντος

Συντήρηση και φροντίδα, 70

Κλείσιμο παροχών νερού και ηλεκτρικού ρεύματος
Καθαρισμός του πλυντηρίου
Καθαρισμός του συρταριού απορρυπαντικών
Φροντίδα της πόρτας και του κάδου
Καθαρισμός της αντλίας
Έλεγχος του σωλήνα τροφοδοσίας του νερού

Προβλήματα και λύσεις, 71

Τεχνική Υποστήριξη, 72

Πριν καλέσετε την τεχνική υποστήριξη

Εγκατάσταση

GR

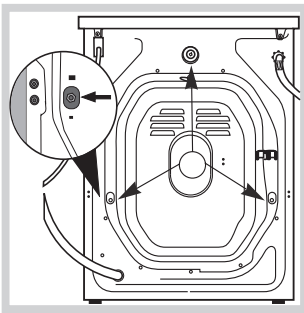
! Είναι σημαντικό να φυλάξετε το εγχειρίδιο αυτό για να μπορείτε να το συμβουλευέστε οποιαδήποτε στιγμή. Σε περίπτωση πώλησης, παραχώρησης ή μετακόμισης, βεβαιωθείτε ότι παραμένει μαζί με το πλυντήριο για να πληροφορεί τον νέο ιδιοκτήτη για τη λειτουργία και τις σχετικές προειδοποιήσεις.

! Διαβάστε προσεκτικά τις οδηγίες: υπάρχουν σημαντικές πληροφορίες για την εγκατάσταση, τη χρήση και την ασφάλεια.

Αποσυσκευασία και οριζοντίωση

Αποσυσκευασία

1. Αποσυσκευάστε το πλυντήριο.
2. Ελέγξτε αν το πλυντήριο έχει υποστεί ζημιές κατά τη μεταφορά. Αν έχει υποστεί ζημιές μην το συνδέετε και επικοινωνήστε με τον μεταπωλητή.



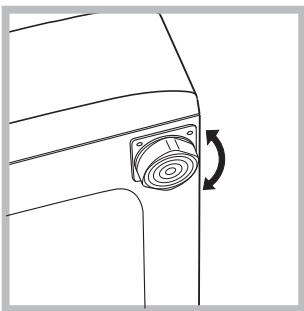
3. Αφαιρέστε τις 3 βίδες προστασίας για τη μεταφορά και το λαστιχάκι με το σχετικό διαχωριστικό, που βρίσκονται στο πίσω μέρος (βλέπε εικόνα).

4. Κλείστε τις οπές με τα πλαστικά πώματα που σας παρέχονται.
5. Διατηρήστε και τα τρία τεμάχια: αν το πλυντήριο χρειαστεί να μεταφερθεί, θα πρέπει να ξαναμονταριστούν.

! Οι συσκευασίες δεν είναι παιχνίδια για μικρά παιδιά.

Οριζοντίωση

1. Εγκαταστήστε το πλυντήριο σε ένα δάπεδο επίπεδο και ανθεκτικό, χωρίς να το ακουμπήσετε σε τοίχους, έπιπλα ή άλλο.

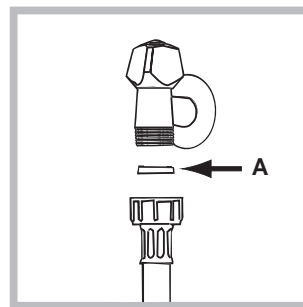


2. Αν το δάπεδο δεν είναι απόλυτα επίπεδο, οριζοντιώστε την συσκευή βιδώνοντας ή ξεβιδώνοντας τις ειδικές βάσεις στο μπροστινό τμήμα της συσκευής (βλέπε εικόνα). Η γωνία κλίσης, μετρημένη στην επιφάνεια εργασίας, δεν πρέπει να ξεπερνάει τις 2°.

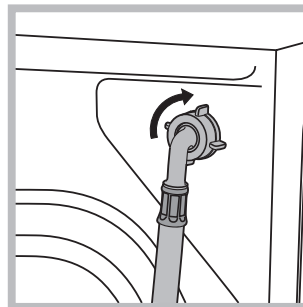
Η σωστή οριζοντίωση προσδίδει σταθερότητα στο μηχάνημα και αποσοβεί δονήσεις, θορύβους και μετατοπίσεις κατά τη λειτουργία. Αν το πλυντήριο τοποθετηθεί πάνω σε μοκέτα ή τάπητα, ρυθμίστε τα ποδαράκια έτσι ώστε να υπάρχει κάτω από το πλυντήριο αρκετός χώρος για τον αερισμό.

Υδραυλικές και ηλεκτρικές συνδέσεις

Σύνδεση του σωλήνα τροφοδοσίας νερού



1. Εισάγετε την τσιμούχα A στο άκρο του σωλήνα τροφοδοσίας και βιδώστε τη μια βρύση κρύου νερού με στόμιο σπειρώματος 3/4 gas (βλέπε εικόνα). Πριν την σύνδεση αφήστε το νερό να τρέξει μέχρι αυτό να είναι διαυγές.



2. Συνδέστε το σωλήνα τροφοδοσίας στο πλυντήριο βιδώνοντάς το στην αντίστοιχη είσοδο νερού, στο πίσω μέρος επάνω δεξιά (βλέπε εικόνα).

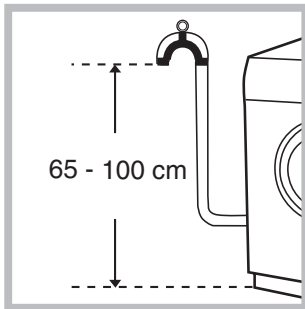
3. Βεβαιωθείτε ότι ο σωλήνας δεν είναι τσακισμένος σε κανένα σημείο του.

! Η πίεση του νερού πρέπει να κυμαίνεται μεταξύ των τιμών του πίνακα με τα τεχνικά στοιχεία (βλέπε επόμενη σελίδα).

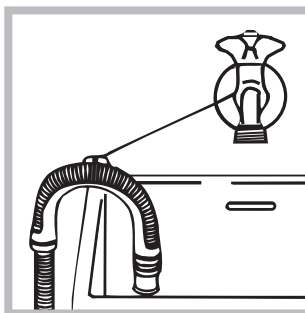
! Αν το μήκος του σωλήνα τροφοδοσίας νερού δεν επαρκεί, θα πρέπει να απευθυνθείτε σε ειδικευμένο κατάστημα ή σε εξουσιοδοτημένο τεχνικό.

! Μην χρησιμοποιείτε ποτέ σωλήνες χρησιμοποιημένους.

Σύνδεση του σωλήνα αδειάσματος νερού



Συνδέστε τον σωλήνα αδειάσματος νερού χωρίς να τον τσακίσετε σε μια αποχέτευση ή σε μια επιτοίχια αποχέτευση σε ύψος από το έδαφος μεταξύ 65 και 100 cm.



Μπορείτε επίσης να στηρίξετε τον σωλήνα αδειάσματος νερού στο χείλος ενός νιπτήρα δένοντάς τον στην βρύση (βλέπε εικόνα). Το ελεύθερο άκρο του σωλήνα δεν θα πρέπει να βυθίζεται στο νερό.

! Δεν συνιστάται η χρήση προεκτάσεων σωλήνων. Αν απαιτείται, η προέκταση πρέπει να έχει την ίδια διάμετρο του αρχικού σωλήνα και να μην ξεπερνάει τα 150 cm.

Ηλεκτρική σύνδεση

Πριν εισάγετε το βύσμα στην ηλεκτρική πρίζα, βεβαιωθείτε ότι:

- η πρίζα διαθέτει γείωση και συμμορφώνεται με τις ισχύουσες προδιαγραφές.
- η πρίζα είναι κατάλληλη για το μέγιστο φορτίο που αναγράφεται στον πίνακα τεχνικών στοιχείων (βλέπε πίνακα).
- Η τάση τροφοδοσίας να κυμαίνεται μεταξύ των τιμών που αναφέρονται στον πίνακα τεχνικών στοιχείων (βλέπε δίπλα).
- Η πρίζα να είναι συμβατή με το βύσμα του πλυντηρίου. Σε αντίθετη περίπτωση, αντικαταστήστε την πρίζα ή το βύσμα.

! Το πλυντήριο δεν πρέπει να εγκαθίσταται σε ανοικτούς χώρους, ακόμα και αν είναι στεγασμένοι γιατί είναι επικίνδυνο να μένει εκτεθειμένο σε βροχή και υγρασία.

! Η πρόσβαση στην πρίζα τροφοδοσίας του πλυντηρίου πρέπει να είναι εύκολη.

! Μη χρησιμοποιείτε προεκτάσεις και πολύπριζα.

! Μην τσακίζετε και μην τοποθετείτε βαριά αντικείμενα πάνω στο καλώδιο τροφοδοσίας.

! Το καλώδιο τροφοδοσίας πρέπει να αντικαθίσταται μόνο από εξουσιοδοτημένους τεχνικούς.

Προσοχή! Η επιχείρηση αποποιείται κάθε ευθύνης σε περίπτωση που οι κανόνες αυτοί δεν τηρούνται.

Πρώτος κύκλος πλυσίματος

Μετά την εγκατάσταση, πριν τη χρήση, πραγματοποιήστε ένα κύκλο πλυσίματος με απορρυπαντικό και χωρίς ρούχα θέτοντας το πρόγραμμα σε 90°C χωρίς πρόπλυση.

Τεχνικά στοιχεία

Μοντέλο	WIN 82
Διαστάσεις	πλάτος cm 59,5 ύψος cm 85 βάθος cm 52,5
Χωρητικότητα	από 1 έως 5 kg
Ηλεκτρικές συνδέσεις	Βλέπε την πινακίδα χαρακτηριστικών επί της μηχανής
Συνδέσεις νερού	μέγιστη πίεση 1 MPa (10 bar) Ελάχιστη πίεση 0,05 MPa (0,5 bar) χωρητικότητα του κάδου 46 λίτρα
Ταχύτητα στύψιματος	μέχρι 800 στροφές το λεπτό
Προγράμματα ελέγχου σύμφωνα με τον κανονισμό EN 60456	πρόγραμμα 3; θερμοκρασία 60°C; εκτελούμενο με 5 kg μπουγάδας.

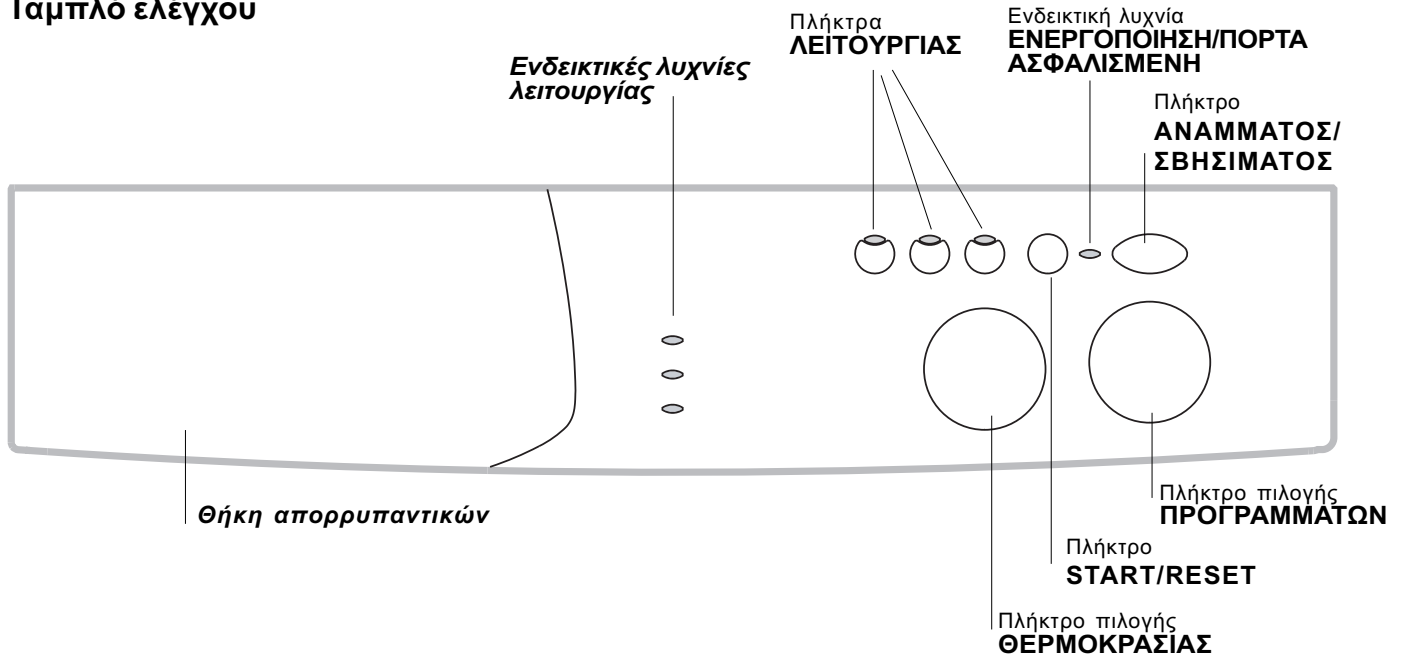


Η συσκευή αυτή είναι σύμφωνη με τις ακόλουθες οιντοτικές Οδηγίες:
- 89/336/CEE της 03/05/89 (Ηλεκτρομαγνητική Συμβατότητα) και μεταγενέστερες τροποποιήσεις
- 2006/95/CE (Χαμηλή Τάση)
- 2002/96/CE

Περιγραφή του πλυντηρίου

GR

Ταμπλό ελέγχου



Θήκη απορρυπαντικών: για την προσθήκη απορρυπαντικών και πρόσθετων (βλέπε σελ. 68).

Ενδεικτικές λυχνίες: για να παρακολουθείτε την πρόοδο του προγράμματος πλύσης.

Πλήκτρα ΛΕΙΤΟΥΡΓΙΑΣ: για να επιλέξετε τις διαθέσιμες λειτουργίες. Το πλήκτρο που αντιστοιχεί στην επιλεγμένη λειτουργία θα παραμείνει αναμμένο.

Πλήκτρο επιλογής ΘΕΡΜΟΚΡΑΣΙΑΣ: για να ορίσετε τη θερμοκρασία ή να επιλέξετε πλύση με κρύο νερό (βλέπε σελ. 67).

Πλήκτρο START/RESET: για την εκκίνηση ή την ακύρωση των επιλεγμένων προγραμμάτων.

Ενδεικτική λυχνία ΕΝΕΡΓΟΠΟΙΗΣΗ/ΠΟΡΤΑ ΑΣΦΑΛΙΣΜΕΝΗ: για να καταλαβαίνετε αν το πλυντήριο είναι αναμμένο και αν μπορεί να ανοιχτεί η πόρτα του (βλέπε σελ. 65).

Πλήκτρο ΑΝΑΜΜΑΤΟΣ/ΣΒΗΣΙΜΑΤΟΣ: για να ανάβετε και να σβήνετε το πλυντήριο.


Πλήκτρο επιλογής προγραμμάτων: Κατά την διάρκεια της πλύσης, το πλήκτρο παραμένει ακίνητο.


Ενδεικτικές λυχνίες λειτουργίας

Οι ενδεικτικές λυχνίες παρέχουν σημαντικές πληροφορίες. Να τι μας λένε:

Φάση σε εξέλιξη:

Κατά τον κύκλο πλυσίματος οι ενδεικτικές λυχνίες θα ανάψουν προοδευτικά για να δείξουν την πρόοδο της πλύσης:

 Πλύσιμο

 Ξέβγαλμα

 Στύψιμο

Σημείωση: κατά τη φάση αδειάσματος θα ανάψει η ενδεικτική λυχνία που σχετίζεται με τη φάση Στυψίματος.

Πλήκτρα λειτουργίας

ΤΑ ΠΛΗΚΤΡΑ ΛΕΙΤΟΥΡΓΙΑΣ χρησιμεύουν επίσης και σαν ενδεικτικές λυχνίες.

Επιλέγοντας μια λειτουργία θα ανάψει το αντίστοιχο πλήκτρο.

Αν η επιλεγμένη λειτουργία δεν είναι συμβατή με το επιλεγμένο πρόγραμμα, το πλήκτρο θα αναβοσβήνει και η λειτουργία δεν θα ενεργοποιηθεί.

Στην περίπτωση που επιλεγεί μια λειτουργία μη συμβατή με μια άλλη που επιλέχθηκε προηγουμένως θα παραμείνει ενεργή μόνο η τελευταία επιλογή.

Ενδεικτική λυχνία ΕΝΕΡΓΟΠΟΙΗΣΗ/ΠΟΡΤΑ ΑΣΦΑΛΙΣΜΕΝΗ

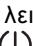
Η αναμμένη ενδεικτική λυχνία δείχνει ότι η πόρτα είναι ασφαλισμένη για την αποφυγή τυχαίων ανοιγμάτων. Για την αποφυγή ζημιών είναι αναγκαίο να περιμένετε να αναβοσβήσει η ενδεικτική λυχνία πριν το άνοιγμα της πόρτας.


! Το γρήγορο αναβοσβήσιμο της ενδεικτικής λυχνίας ΕΝΕΡΓΟΠΟΙΗΣΗ/ΠΟΡΤΑ ΑΣΦΑΛΙΣΜΕΝΗ όταν γίνεται ταυτόχρονα με μια άλλη ενδεικτική λυχνία υποδεικνύει ύπαρξη ανωμαλίας (βλέπε σελ. 71).

Εκκίνηση και Προγράμματα


GR

Εν συντομία: εκκίνηση ενός προγράμματος

1. Θέστε σε λειτουργία το πλυντήριο πιέζοντας το πλήκτρο . Όλες οι ενδεικτικές λυχνίες θα ανάψουν για μερικά δευτερόλεπτα, κατόπιν θα σβήσουν και η ενδεικτική λυχνία ΕΝΕΡΓΟΠΟΙΗΣΗ/ΠΟΡΤΑ ΑΣΦΑΛΙΣΜΕΝΗ θα αρχίσει να αναβοσβήνει.
2. Φορτώστε τη μπουγάδα και κλείστε την πόρτα.
3. Με το πλήκτρο επιλογής ΠΡΟΓΡΑΜΜΑΤΩΝ επιλέξτε το επιθυμητό πρόγραμμα.
4. Επιλέξτε την θερμοκρασία πλυσίματος (βλέπε σελ. 67).

5. Τοποθετήστε το απορρυπαντικό και τυχόν πρόσθετα (βλέπε σελ. 68).
6. Εκκινήστε το πρόγραμμα πιέζοντας το κουμπί START/RESET.
Για την ακύρωση κρατήστε πατημένο το κουμπί START/RESET για τουλάχιστον 2 δευτερόλεπτα.
7. Στο τέλος του προγράμματος η ενδεικτική λυχνία ΕΝΕΡΓΟΠΟΙΗΣΗ/ΠΟΡΤΑ ΑΣΦΑΛΙΣΜΕΝΗ αναβοσβήνει υποδεικνύοντας ότι η πόρτα μπορεί να ανοίξει. Βγάλτε τα ρούχα και αφήστε την πόρτα μισόκλειστη για να στεγνώσει ο κάδος. Θέστε το πλυντήριο εκτός λειτουργίας πιέζοντας το πλήκτρο .

Πίνακας των προγραμμάτων

Τύπος υφασμάτων και λεκέδων	Προγράμματα	Θερμοκρασία	Απορρυπαντικό		Μαλακτικό	Διάρκεια του κύκλου (λεπτά)	Περιγραφή του κύκλου πλυσίματος.
			πρόπλ.	Πλύσ.			
Βαμβακερά							
Λευκά εξαιρετικά λερωμένα (σεντόνια, τραπεζομάντιλα, κλπ.)	1	90°C	•	•	•	167	Πρόπλυση, πλύσιμο, ξεβγάλματα, ενδιάμεσα στυψίματα και τελικό
Λευκά εξαιρετικά λερωμένα (σεντόνια, τραπεζομάντιλα, κλπ.)	2	90°C		•	•	152	Πλύσιμο, ξεβγάλματα, ενδιάμεσα στυψίματα και τελικό
Λευκά και χρωματιστά ανθεκτικά, πολύ λερωμένα	3	60°C		•	•	158	Πλύσιμο, ξεβγάλματα, ενδιάμεσα στυψίματα και τελικό
Λευκά και χρωματιστά ευαίσθητα, πολύ λερωμένα	3	40°C		•	•	143	Πλύσιμο, ξεβγάλματα, ενδιάμεσα στυψίματα και τελικό
Λευκά λίγο λερωμένα και ευαίσθητα χρώματα (πουκάμισα, μπλούζες, κλπ.)	4	40°C		•	•	99	Πλύσιμο, ξεβγάλματα, ενδιάμεσα στυψίματα και τελικό
Χρωματιστά ευαίσθητα λίγο λερωμένα	5	30°C		•	•	92	Πλύσιμο, ξεβγάλματα, ενδιάμεσα στυψίματα και τελικό
Συνθετικά							
Χρώματα ανθεκτικά, πολύ λερωμένα (ασπρόρουχα για νεογέννητα, κλπ.)	6	60°C		•	•	80	Πλύσιμο, ξεβγάλματα, ατσαλάκωτα ή απαλό στύψιμο
Χρώματα ανθεκτικά (ασπρόρουχα όλων των τύπων ελαφρά λερωμένα)	6	40°C		•	•	71	Πλύσιμο, ξεβγάλματα, ατσαλάκωτα ή απαλό στύψιμο
Χρώματα ανθεκτικά, πολύ λερωμένα (ασπρόρουχα για νεογέννητα, κλπ.)	7	50°C		•	•	75	Πλύσιμο, ξεβγάλματα, ατσαλάκωτα ή απαλό στύψιμο
Χρώματα ευαίσθητα (ασπρόρουχα όλων των τύπων ελαφρά λερωμένα)	8	40°C		•	•	71	Πλύσιμο, ξεβγάλματα, ατσαλάκωτα ή απαλό στύψιμο
Χρώματα ευαίσθητα (ασπρόρουχα όλων των τύπων ελαφρά λερωμένα)	9	30°C		•	•	30	Πλύσιμο, ξεβγάλματα, και απαλό στύψιμο
Ευαίσθητα							
Μάλλινα	10	40°C		•	•	50	Πλύσιμο, ξεβγάλματα και απαλό στύψιμο
Υφάσματα πολύ ευαίσθητα (κουρτίνες, μεταξωτά, βισκόζη, κλπ.)	11	30°C		•	•	52	Πλύσιμο, ξεβγάλματα, ατσαλάκωτα ή άδειασμα
ΕΠΙ ΜΕΡΟΥΣ ΠΡΟΓΡΑΜΜΑΤΑ							
Ξέβγαλμα					•		Ξεβγάλματα και στύψιμο
Ξέβγαλμα απαλό					•		Ξεβγάλματα, ατσαλάκωτα ή άδειασμα
Στύψιμο							Άδειασμα και ενεργητικό στύψιμο
Στύψιμο απαλό							Άδειασμα και απαλό στύψιμο
Άδειασμα							Άδειασμα

Σημειώσεις

για την περιγραφή της λειτουργίας Ατσαλάκωτα βλέπε σελ. 67. Τα στοιχεία που αναφέρονται στον πίνακα είναι ενδεικτικά.

Ειδικό πρόγραμμα

Ημερήσιο 30' (πρόγραμμα 9 για Συνθετικά) μελετήθηκε για το πλύσιμο ρούχων ελαφρά λερωμένων σε σύντομο χρόνο: διαρκεί μόνο 30 λεπτά και σας εξοικονομεί χρόνο και ενέργεια. Θέτοντας το πρόγραμμα (9 σε 30°C) μπορείτε να πλύνετε μαζί υφάσματα διαφορετικής φύσης (εκτός μάλλινων και μεταξωτών) με ένα μέγιστο φορτίο 3 kg. *Συνιστάται η χρήση υγρού απορρυπαντικού.*

Επιλέξτε τη θερμοκρασία

Στρέφοντας το πλήκτρο επιλογής ΘΕΡΜΟΚΡΑΣΙΑΣ μπορείτε να επιλέξετε την θερμοκρασία πλύσης (βλέπε Πίνακα προγραμμάτων στη σελ. 66).

Η θερμοκρασία μπορεί να μειωθεί μέχρι το πλύσιμο σε κρύο νερό (❄).

Λειτουργίες

Οι διάφορες λειτουργίες πλυσίματος που προβλέπονται από το πλυντήριο επιτρέπουν την επίτευξη του καθαρισμού και του λευκού που επιθυμείτε. Για την ενεργοποίηση των λειτουργιών:

1. Πιέστε το πλήκτρο που αντιστοιχεί στην επιθυμητή λειτουργία, σύμφωνα με τον παρακάτω πίνακα;
2. Το άναμμα του σχετικού πλήκτρου σηματοδοτεί ότι η λειτουργία είναι ενεργή.

Σημείωση: Το γρήγορο αναβοσβήσιμο του πλήκτρου δείχνει ότι η σχετική λειτουργία δεν μπορεί να επιλεγεί για το επιλεγμένο πρόγραμμα.

Λειτουργίες	Αποτέλεσμα	Παρατηρήσεις για τη χρήση	Ενεργή με τα προγράμματα:
Ταχύ	Μειώνει κατά 30% περίπου τη διάρκεια του κύκλου πλυσίματος.		1, 2, 3, 4, 5, 6, 7, 8
Extra Ξέβγαλμα	Αυξάνει την αποτελεσματικότητα του ξεβγάλματος.	Προτείνεται με το πλυντήριο τελείως γεμάτο ή με υψηλές δόσεις απορρυπαντικού.	1, 2, 3, 4, 5, 6, 7, 8, Ξεβγάλματα.
Αποκλεισμός φυγοκέντρωσης	Πιέζοντας το πλήκτρο αυτό το πλυντήριο δεν κάνει πια φυγοκέντρωση, αλλά μόνο μια περιστροφή του κάδου με μέτρια ταχύτητα για την διευκόλυνση εκκένωσης του νερού.	Σε συμβουλευόμαστε να τη χρησιμοποιείς όταν πλένεις ρούχα που σιδερώνονται δύσκολα.	Όλα τα προγράμματα πλην του 11 και του αδειάσματος.

Ατσαλάκωτα

Η λειτουργία αυτή διακόπτει το πρόγραμμα πλυσίματος διατηρώντας τη μπουγάδα σε μούλιασμα πριν το άδειασμα του νερού. Ενεργοποιείται στα προγράμματα 6 – 7 – 8 – 11 και Απαλό ξέβγαλμα.

- για την ολοκλήρωση του κύκλου πιέστε το κουμπί START/RESET.
- για τη διενέργεια μόνο του αδειάσματος τοποθετήστε τον επιλογέα στο σχετικό σύμβολο και πιέστε το κουμπί START/RESET.

Σημειώσεις: Για την αποφυγή υπερβολικών δονήσεων πριν από κάθε φυγοκέντρωση το πλυντήριο κατανέμει το φορτίο ομοιόμορφα, κι αυτό γίνεται κάνοντας συνεχείς περιστροφές του κάδου σε ταχύτητα ελαφρά μεγαλύτερη εκείνης του πλυσίματος. Όταν παρά τις συνεχείς προσπάθειες το φορτίο δεν κατανέμεται απόλυτα ομοιόμορφα, η μηχανή κάνει το στύψιμο σε ταχύτητα μικρότερη της προβλεπόμενης. Παρουσία υπερβολικής ανισοκατανομής η μηχανή διενεργεί την κατανομή στη θέση του στυψίματος.

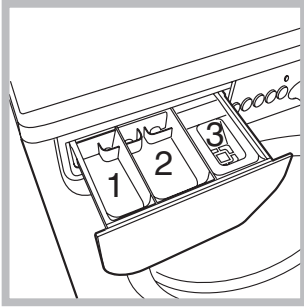
Οι ενδεχόμενες προσπάθειες ισοστάθμισης μπορεί να επιμηκύνουν την ολική διάρκεια του κύκλου μέχρι ένα μέγιστο 10 λεπτών.

Απορρυπαντικά και ρούχα

GR

Θήκη απορρυπαντικών

Το καλό αποτέλεσμα του πλυσίματος εξαρτάται επίσης και από τη σωστή δοσολογία του απορρυπαντικού: υπερβάλλοντας δεν πλένουμε αποτελεσματικότερα και επιπλέον συντελούμε στη δημιουργία κρούστας στα εσωτερικά μέρη του πλυντηρίου και στη μόλυνση του περιβάλλοντος.



Βγάλτε τη θήκη απορρυπαντικών και εισάγετε το απορρυπαντικό ή το πρόσθετο ως εξής.

θήκη 1: Απορρυπαντικό για πρόπλυση (σε σκόνη)

θήκη 2: Απορρυπαντικό για πλύσιμο (σε σκόνη ή υγρό)

Το υγρό απορρυπαντικό τοποθετείται μόνο πριν την έναρξη της πλύσης.

θήκη 3: Πρόσθετα (μαλακτικό, κλπ.)

Το μαλακτικό δεν πρέπει να διαφεύγει από το πλέγμα.

! Μη χρησιμοποιείτε απορρυπαντικά για το πλύσιμο στο χέρι, διότι παράγουν πολύ αφρό.

Προετοιμασία της πλύσης

- Χωρίστε τα ρούχα ανάλογα:
 - με το είδος του υφάσματος/ το σύμβολο της ετικέτας.
 - τα χρώματα: χωρίστε τα χρωματιστά ρούχα από τα λευκά.
- Αδειάστε τις τσέπες και ελέγξτε τα κουμπιά.
- Μην ξεπερνάτε τις υποδεικνυόμενες τιμές, σε σχέση με το βάρος των ρούχων που πρόκειται να πλυθούν:
 - Ανθεκτικά υφάσματα: max 5 kg
 - Συνθετικά υφάσματα: max 2,5 kg
 - Ευαίσθητα υφάσματα: max 2 kg
 - Μάλλινα: max 1 kg

Πόσο ζυγίζουν τα ρούχα?

- 1 σεντόνι 400-500 gr.
- 1 μαξιλαροθήκη 150-200 gr.
- 1 τραπεζομάντιλο 400-500 gr.
- 1 μπουρνούζι 900-1.200 gr.
- 1 πετσέτα 150-250 gr.

Ειδικά ρούχα

Κουρτίνες: διπλώστε τις μέσα σε ένα μαξιλάρι ή σε ένα δικτυωτό σακούλι. Πλύνετε τις μόνες χωρίς να ξεπεράσετε το μισό φορτίο. Χρησιμοποιήστε το πρόγραμμα 11 που αποκλείει αυτόματα το στύψιμο.

Παπλώματα και μπουφάν: αν το γέμισμα είναι χήνας ή πάπιας μπορούν να πλυθούν στο πλυντήριο. Γυρίστε τα ρούχα από την ανάποδη και επιλέξτε μέγιστο φορτίο 2-3 kg, επαναλαμβάνοντας το ξέβγαλμα μια ή δύο φορές και χρησιμοποιώντας το απαλό στύψιμο.

Μάλλινα: για καλύτερα αποτελέσματα χρησιμοποιήστε ειδικό απορρυπαντικό και μην ξεπερνάτε το 1kg φορτίο.

! Το πλυντήριο σχεδιάστηκε και κατασκευάστηκε σύμφωνα με τους διεθνείς κανόνες ασφαλείας. Αυτές οι προειδοποιήσεις παρέχονται για λόγους ασφαλείας και πρέπει να διαβάζονται προσεκτικά.

Γενική ασφάλεια

- Η συσκευή αυτή σχεδιάστηκε για οικιακή χρήση, μη επαγγελματική και οι λειτουργίες της δεν πρέπει να αλλοιωθούν.
- Το πλυντήριο πρέπει να χρησιμοποιείται μόνο από ενήλικα άτομα και σύμφωνα με τις οδηγίες που αναφέρονται στο παρόν εγχειρίδιο.
- Μην αγγίζετε το μηχάνημα με γυμνά πόδια ή με τα χέρια ή τα πόδια βρεγμένα.
- Μην βγάζετε το βύσμα από την ηλεκτρική πρίζα τραβώντας το καλώδιο, αλλά να πιάνετε την πρίζα.
- Μην ανοίγετε το συρτάκι απορρυπαντικών ενώ το μηχάνημα είναι σε λειτουργία.
- Μην αγγίζετε το νερό αδειάσματος, αφού μπορεί να φτάσει σε υψηλές θερμοκρασίες.
- Μην ζορίζετε σε καμία περίπτωση την πόρτα: θα μπορούσε να χαλάσει ο μηχανισμός ασφαλείας που προστατεύει από τυχαία ανοίγματα.
- Σε περίπτωση βλάβης, σε καμία περίπτωση να μην επεμβαίνετε στους εσωτερικούς μηχανισμούς για να προσπαθείτε να την επισκευάσετε.
- Να ελέγχετε πάντα τα παιδιά να μην πλησιάζουν στο μηχάνημα όταν αυτό λειτουργεί.
- Κατά το πλύσιμο η πόρτα τείνει να θερμαίνεται.
- Αν το πλυντήριο πρέπει να μετατοπιστεί, συνεργαστείτε δύο ή τρία άτομα με τη μέγιστη προσοχή. Ποτέ μόνοι σας γιατί το μηχάνημα είναι πολύ βαρύ.
- Πριν εισάγετε τα ρούχα για πλύσιμο, ελέγξτε αν ο κάδος είναι άδειος.

Διάθεση

- Διάθεση του υλικού συσκευασίας: τηρείστε τους τοπικούς κανονισμούς, ώστε οι συσκευασίες να μπορούν να επαναχρησιμοποιηθούν.
- Η ευρωπαϊκή οδηγία 2002/96/EK για τα Απόβλητα Ηλεκτρικού και Ηλεκτρονικού Εξοπλισμού, απαιτεί ότι οι παλαιές οικιακές ηλεκτρικές συσκευές δεν πρέπει να αποβάλλονται μαζί με τα υπόλοιπα απόβλητα του δημοτικού δικτύου. Οι παλαιές συσκευές πρέπει να συλλεχθούν χωριστά προκειμένου να βελτιστοποιηθούν η αποκατάσταση και η ανακύκλωση των υλικών που περιέχουν και με σκοπό τη μείωση των βλαβερών επιπτώσεων στην ανθρώπινη υγεία και το περιβάλλον. Το σύμβολο

με το διεγραμμένο “δοχείο αποβλήτων” στο προϊόν υπενθυμίζει σε σας την υποχρέωσή σας, πως όταν επιθυμείτε να πετάξετε τη συσκευή, πρέπει να συλλεχθεί χωριστά.

Οι καταναλωτές θα πρέπει να απευθύνονται στις τοπικές αρχές ή στα καταστήματα λιανικής για πληροφορίες που αφορούν τη σωστή διάθεση των παλαιών ηλεκτρικών συσκευών.

Εξοικονόμηση ενέργειας και σεβασμός του περιβάλλοντος

Τεχνολογία στην υπηρεσία του περιβάλλοντος

Αν στην πόρτα φαίνεται λίγο νερό είναι γιατί με τη νέα τεχνολογία Indesit φτάνει λιγότερο από το μισό του νερού για να έχετε το βέλτιστο πλύσιμο: ένας στόχος που επιτεύχθηκε για το σεβασμό του περιβάλλοντος.

Εξοικονόμηση απορρυπαντικού, νερού, ενέργειας και χρόνου

- Για να μην ξοδεύετε πόρους θα πρέπει να χρησιμοποιείτε το πλυντήριο με το μέγιστο φορτίο. Ένα πλήρες φορτίο στη θέση δύο μισών σας εξοικονομεί μέχρι το 50% ενέργειας.
- Η πρόπλυση είναι αναγκαία μόνο τα ασπρόρουχα που είναι πολύ λερωμένα. Αποφεύγοντάς τη εξοικονομείτε απορρυπαντικό, χρόνο, νερό και από 5 έως 15% ενέργειας.
- Περνώντας τους λεκέδες με ένα καθαριστικό ή αφήνοντάς τους σε μούλιασμα πριν το πλύσιμο, μειώνεται η αναγκαιότητα πλυσίματος σε υψηλές θερμοκρασίες. Ένα πρόγραμμα σε 60°C αντί των 90°C ή ένα σε 40°C αντί των 60°C, σας εξοικονομεί μέχρι 50% ενέργειας.
- Να δοσολογείτε καλά το απορρυπαντικό με βάση την σκληρότητα του νερού, το βαθμό βρωμιάς και την ποσότητα της μπουγάδας ώστε να αποσοβείτε σπατάλες και να προστατεύετε το περιβάλλον: ακόμα και τα βιοδιασπώμενα απορρυπαντικά περιέχουν στοιχεία που αλλοιώνουν την ισορροπία στην φύση. Επιπλέον να αποφεύγετε το μέγιστο δυνατό το μαλακτικό.
- Πλένοντας αργά το απόγευμα μέχρι τις πρώτες πρωινές ώρες συμβάλλετε στην μείωση του απαιτούμενου ηλεκτρικού φορτίου από πλευράς επιχειρήσεων ηλεκτρικής ενέργειας.
- Αν η μπουγάδα πρέπει να στεγνώσει σε ένα στεγνωτήριο, επιλέξτε υψηλή ταχύτητα στύψιματος. Λίγο νερό στην μπουγάδα σας εξοικονομεί χρόνο και ενέργεια στο πρόγραμμα στεγνώματος.

Συντήρηση και φροντίδα

GR

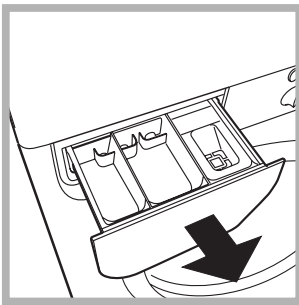
Κλείσιμο παροχών νερού και ηλεκτρικού ρεύματος

- Κλείνετε την βρύση μετά από κάθε πλύσιμο. Έτσι περιορίζεται η φθορά της υδραυλικής εγκατάστασης του πλυντηρίου και αποσοβείται ο κίνδυνος απωλειών.
- Βγάλτε το βύσμα από το ρεύμα όταν καθαρίζετε το πλυντήριο και κατά τις εργασίες συντήρησης.

Καθαρισμός του πλυντηρίου

Το εξωτερικό μέρος και τα λαστιχένια μέρη μπορούν να καθαρίζονται με ένα πανί βρεγμένο με χλιαρό νερό και σαπούνι. Μη χρησιμοποιείτε διαλύτες ή αποξυστικά.

Καθαρισμός του συρταριού απορρυπαντικών



Τραβήξτε το συρτάρι ανασηκώνοντάς το και τραβώντας το προς τα έξω (βλέπε εικόνα). Πλένετέ το κάτω από τρεχούμενο νερό. Ο καθαρισμός αυτός διενεργείται συχνά.

Φροντίδα της πόρτας και του κάδου

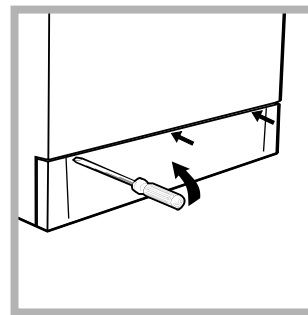
- Να αφήνετε πάντα μισόκλειστη την πόρτα για να μην παράγονται δυσσομίες.

Καθαρισμός της αντλίας

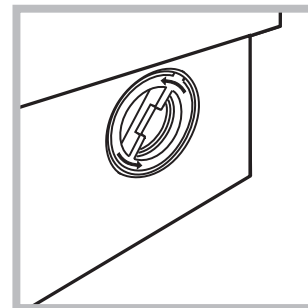
Το πλυντήριο διαθέτει μια αντλία αυτοκαθαριζόμενη που δεν χρειάζεται συντήρηση. Μπορεί όμως να τύχει να πέσουν μικρά αντικείμενα (κέρματα, κουμπιά) στον προθάλαμο που προστατεύει την αντλία, που βρίσκεται στο κάτω μέρος αυτής.

! Βεβαιωθείτε ότι ο κύκλος πλυσίματος έχει τελειώσει και βγάλτε το βύσμα.

Για να έχετε πρόσβαση στον προθάλαμο:



1. αφαιρέστε το ταμπλό κάλυψης στο πρόσθιο πλευρό του πλυντηρίου με τη βοήθεια ενός κατσαβιδιού (βλέπε εικόνα)



2. ξεβιδώστε το καπάκι στρέφοντάς το αριστερόστροφα (βλέπε εικόνα): είναι φυσικό να βγαίνει λίγο νερό.

- 3.καθαρίστε επιμελώς το εσωτερικό
- 4.ξεναβιδώστε το καπάκι
- 5.ξεναμοντάρετε το ταμπλό όντας σίγουροι, πριν το σπρώξετε προς το μηχάνημα, ότι έχετε εισάγει τα γαντζάκια στις αντίστοιχες εσοχές.

Έλεγχος του σωλήνα τροφοδοσίας του νερού

Ελέγχετε το σωλήνα τροφοδοσίας τουλάχιστον μια φορά ετησίως. Αν παρουσιάζει σκασίματα και σχισμές αντικαθίσταται: κατά τα πλυσίματα οι ισχυρές πιέσεις θα μπορούσαν να προκαλέσουν ξαφνικά σπασίματα.

! Μη χρησιμοποιείτε ποτέ σωλήνες χρησιμοποιημένους.

Μπορεί να συμβεί το πλυντήριο να μη λειτουργεί. Πριν τηλεφωνήσετε στην Υποστήριξη (βλέπε σελ. 72), ελέγξτε αν δεν πρόκειται για ένα πρόβλημα που επιλύεται εύκολα με τη βοήθεια του ακόλουθου καταλόγου.

GR

Ανωμαλίες:

Πιθανά αίτια / Λύση:

Το πλυντήριο δεν ανάβει.

- Το βύσμα δεν έχει εισαχθεί στην ηλεκτρική πρίζα, ή τουλάχιστον όχι αρκετά για να κάνει επαφή.
- Στο σπίτι δεν υπάρχει ρεύμα.

Ο κύκλος πλυσίματος δεν ξεκινάει.

- Η πόρτα δεν είναι καλά κλειστή.
- Το κουμπί (⏏) δεν πατήθηκε.
- Το κουμπί START/RESET δεν πατήθηκε.
- η βρύση δεν είναι ανοικτή.

Το πλυντήριο δεν φορτώνει νερό.

- Ο σωλήνας τροφοδοσίας του νερού δεν είναι συνδεδεμένος στον κρουνό.
- Ο σωλήνας είναι διπλωμένος.
- η βρύση δεν είναι ανοικτή.
- Στο σπίτι λείπει το νερό.
- Δεν υπάρχει αρκετή πίεση.
- Το κουμπί START/RESET δεν πατήθηκε.

Το πλυντήριο φορτώνει και αδειάζει νερό συνεχώς.

- Ο σωλήνας αδειάσματος δεν έχει εγκατασταθεί μεταξύ 65 και 100 cm από το έδαφος (βλέπε σελ. 63).
- Το άκρο του σωλήνα αδειάσματος είναι βυθισμένο στο νερό (βλέπε σελ. 63).
- Το επιτοίχιο άδειασμα δεν έχει απαέρωση.

Αν μετά από αυτούς τους ελέγχους το πρόβλημα δεν λύνεται, κλείστε τον κρουνό του νερού, σβήστε το πλυντήριο και καλέστε την Υποστήριξη. Αν η κατοικία βρίσκεται στους τελευταίους ορόφους ενός κτιρίου, μπορεί να διαπιστωθούν φαινόμενα σιφωνισμού, οπότε το πλυντήριο φορτώνει και αδειάζει νερό συνεχώς. Για την αντιμετώπιση του προβλήματος διατίθενται στο εμπόριο κατάλληλες βαλβίδες αντι-σιφωνισμού.

Το πλυντήριο δεν φορτώνει ή δεν στύβει.

- Το πρόγραμμα δεν προβλέπει το άδειασμα: με ορισμένα προγράμματα πρέπει να το ενεργοποιείτε χειροκίνητα (βλέπε σελ. 66).
- Είναι ενεργή η δυνατότητα "Ατσαλάκωτα": για την ολοκλήρωση του προγράμματος πιέστε το κουμπί START/RESET (βλέπε σελ. 67).
- Ο σωλήνας αδειάσματος είναι διπλωμένος (βλέπε σελ. 63).
- Ο αγωγός αδειάσματος είναι βουλωμένος.

Το πλυντήριο δονείται πολύ κατά το στύψιμο.

- Ο κάδος, τη στιγμή της εγκατάστασης, δεν απασφαλίστηκε σωστά (βλέπε σελ. 62).
- Το πλυντήριο δεν είναι οριζοντιωμένο (βλέπε σελ. 62).
- Το πλυντήριο είναι στενά μεταξύ επίπλων και τοίχου (βλέπε σελ. 62).

Το πλυντήριο χάνει νερό.

- Ο σωλήνας τροφοδοσίας του νερού δεν είναι καλά βιδωμένος (βλέπε σελ. 62).
- Το συρταράκι απορρυπαντικών είναι βουλωμένο (για να το καθαρίσετε βλέπε σελ. 70).
- Ο σωλήνας αδειάσματος δεν έχει στερεωθεί καλά (βλέπε σελ. 63).

Η ενδεικτική λυχνία ΕΝΕΡΓΟΠΟΙΗΣΗ/ ΠΟΡΤΑ ΑΣΦΑΛΙΣΜΕΝΗ αναβοσβήνει γρήγορα και ταυτόχρονα με τουλάχιστον ένα άλλο ενδεικτική λυχνία.

- Σβήστε τη πλυντήριο και βγάλτε το βύσμα από την πρίζα, περιμένετε περίπου 1 λεπτό μετά ξαναάψτε τη.

Αν η ανωμαλία επιμένει, καλέστε την Υποστήριξη.

Σχηματίζεται πολύς αφρός.

- Το απορρυπαντικό δεν είναι ειδικό για πλυντήριο (πρέπει να υπάρχει η ένδειξη "για πλυντήριο", "για πλύσιμο στο χέρι και στο πλυντήριο", ή παρόμοια).
- Η δοσολογία υπήρξε υπερβολική.

Πριν καλέσετε την τεχνική υποστήριξη:

- Βεβαιωθείτε ότι δεν μπορείτε να επιλύσετε μόνοι σας το πρόβλημα (βλέπε σελ. 71)
- Επανεκκινήστε το πρόγραμμα για να ελέγξετε αν το πρόβλημα αντιμετωπίστηκε
- Σε αντίθετη περίπτωση, επικοινωνήστε με το εξουσιοδοτημένο τμήμα τεχνικής υποστήριξης που αναγράφεται στο πιστοποιητικό εγγύησης.

! Μην καταφεύγετε ποτέ σε μη εξουσιοδοτημένους τεχνικούς.

Γνωστοποιήστε:

- το είδος του προβλήματος
- το μοντέλο του μηχανήματος (Mod.)
- τον αριθμό σειράς (S/N).

Οι πληροφορίες αυτές βρίσκονται στην ταμπελίτσα που υπάρχει στο πίσω μέρος του πλυντηρίου.